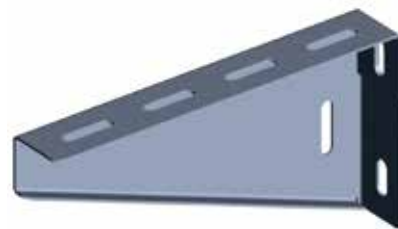
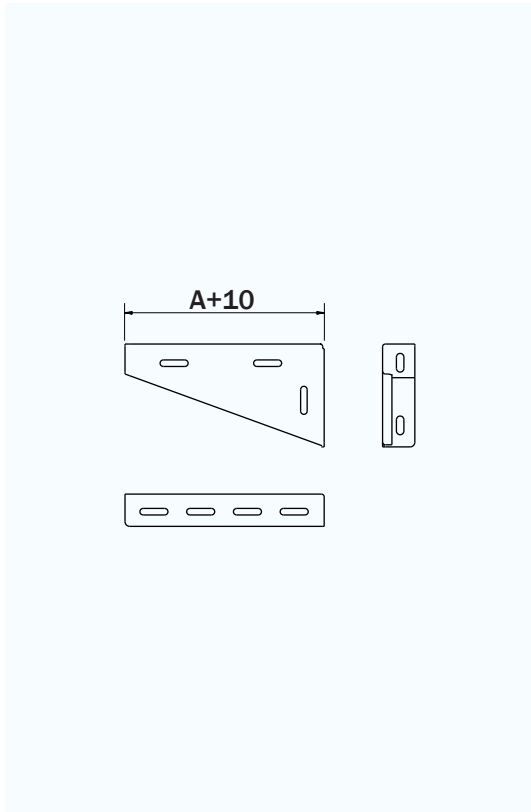




SUPPORT STRUTS AND ACCESSORIES

Cable tray installations in the many different types of building necessitate a wide variety of support struts, brackets and hangers. The support struts and brackets are typically galvanised; for use in objects exposed to especially demanding ambient conditions, the hardware can also be made of hot-dip galvanised or stainless steel sheet.

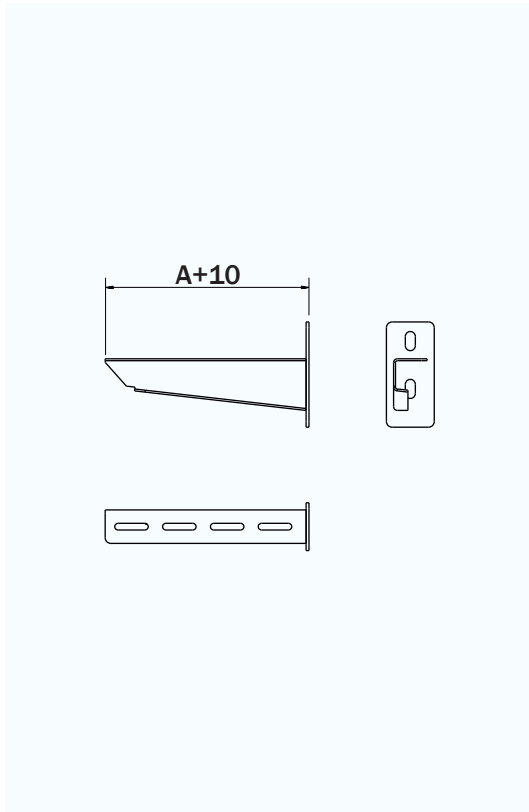
ZN wall-mounted cantilever arm



Article numbers and designations:

Tray width A: (mm)	Galvanised sheet	Hot-dip galvanised	Stainless steel sheet	RAL options
50	300050 ZN 50	300051 ZN 50 TC	300052 ZN 50 RF	300054 ZN 50 RAL
100	300100 ZN 100	300101 ZN 100 TC	300102 ZN 100 RF	300104 ZN 100 RAL
200	300200 ZN 200	300201 ZN 200 TC	300202 ZN 200 RF	300204 ZN 200 RAL
300	300300 ZN 300	300301 ZN 300 TC	300302 ZN 300 RF	300304 ZN 300 RAL
400	300400 ZN 400	300401 ZN 400 TC	300402 ZN 400 RF	300404 ZN 400 RAL

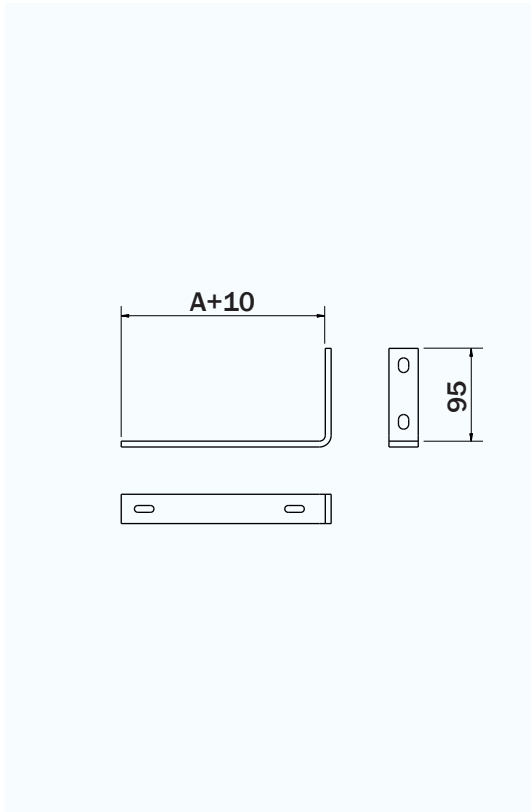
ZNM reinforced wall-mounted cantilever arm



Article numbers and designations:

Tray width A: (mm)	Galvanised	Hot-dip galvanised	Stainless steel sheet	RAL options
100	301100 ZNM 100	301101 ZNM 100 TC	301102 ZNM 100 RF	301104 ZNM 100 RAL
200	301200 ZNM 200	301201 ZNM 200 TC	301202 ZNM 200 RF	301204 ZNM 200 RAL
300	301300 ZNM 300	301301 ZNM 300 TC	301302 ZNM 300 RF	301304 ZNM 300 RAL
400	301400 ZNM 400	301401 ZNM 400 TC	301402 ZNM 400 RF	301404 ZNM 400 RAL
500	301500 ZNM 500	301501 ZNM 500 TC	301502 NM 500 RF	301504 ZNM 500 RAL
600	301600 ZNM 600	301601 ZNM 600 TC	301602 ZNM 600 RF	301604 ZNM 600 RAL

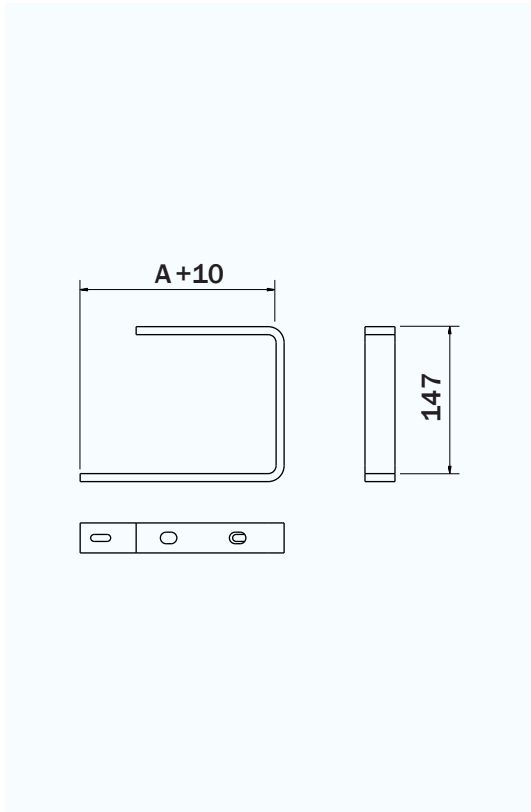
ZNL wall-mounted bracket



Article numbers and designations:

Tray width A: (mm)	Galvanised sheet	Hot-dip galvanised	Stainless steel sheet	RAL options
50	302050 ZNL 50	302051 ZNL 50 TC	302052 ZNL 50 RF	302054 ZNL 50 RAL
100	302100 ZNL 100	302101 ZNL 100 TC	302102 ZNL 100 RF	302104 ZNL 100 RAL
200	302200 ZNL 200	302201 ZNL 200 TC	302202 ZNL 200 RF	302204 ZNL 200 RAL
300	302300 ZNL 300	302301 ZNL 300 TC	302302 ZNL 300 RF	302304 ZNL 300 RAL
400	302400 ZNL 400	302401 ZNL 400 TC	302402 ZNL 400 RF	302404 ZNL 400 RAL
500	302500 ZNL 500	302501 ZNL 500 TC	302502 ZNL 500 RF	302504 ZNL 500 RAL

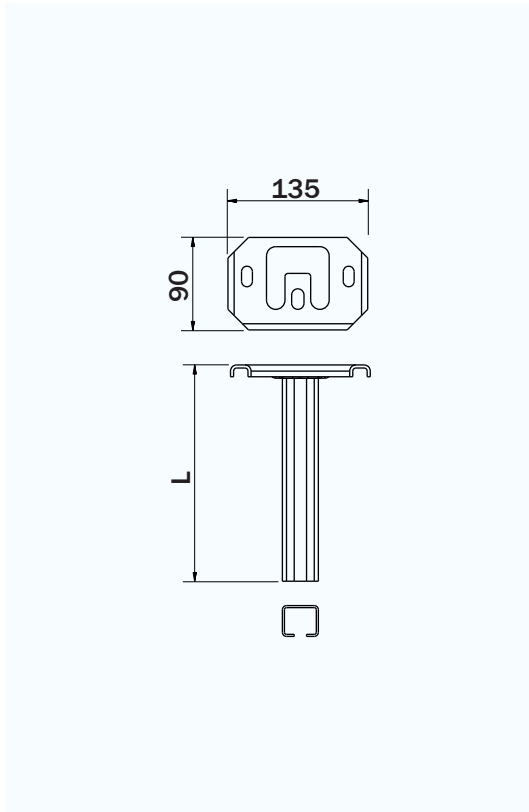
SNU ceiling C-bracket



Article numbers and designations:

Tray width A: (mm)	Galvanised sheet	Hot-dip galvanised	Stainless steel sheet	RAL options
50	303050 SNU 50	303051 SNU 50 TC	303052 SNU 50 RF	303054 SNU 50 RAL
100	303100 SNU 100	303101 SNU 100 TC	303102 SNU 100 RF	303104 SNU 100 RAL
200	303200 SNU 200	303201 SNU 200 TC	303202 SNU 200 RF	303204 SNU 200 RAL
300	303300 SNU 300	303301 SNU 300 TC	303302 SNU 300 RF	303304 SNU 300 RAL
400	303400 SNU 400	303401 SNU 400 TC	303402 SNU 400 RF	303404 SNU 400 RAL

ESG ceiling strut

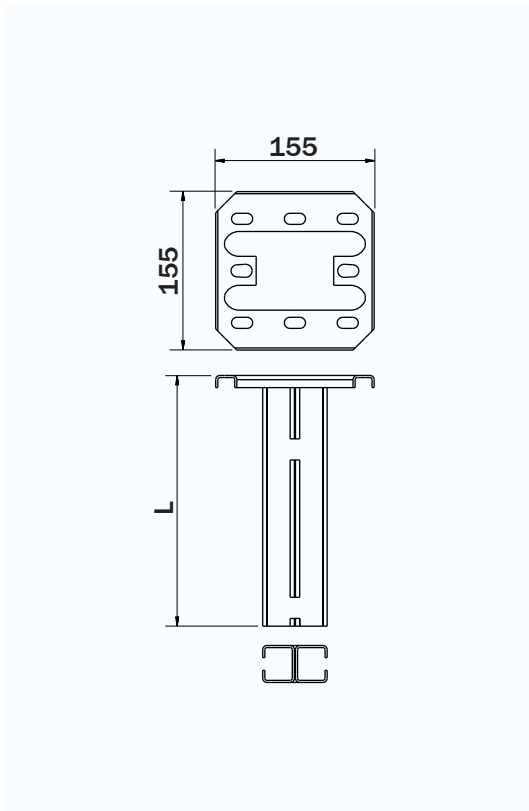


Article numbers and designations:

Bracket length L: (mm)	Galvanised sheet	Hot-dip galvanised	Stainless steel sheet	RAL options
300	304030 ESG 300	304031 ESG 300 TC	304032 ESG 300 RF	304034 ESG 300 RAL
500	304050 ESG 500	304051 ESG 500 TC	304052 ESG 500 RF	304054 ESG 500 RAL
800	304080 ESG 800	304081 ESG 800 TC	304082 ESG 800 RF	304084 ESG 800 RAL

Note: We also fabricate custom ESG ceiling struts of other sizes
(for instance L=1200)

DSG double ended ceiling strut

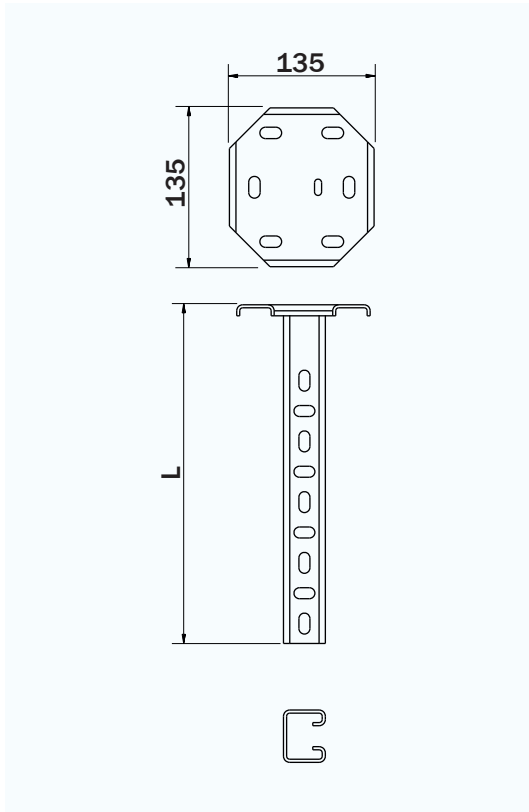


Article numbers and designations:

Bracket length L: (mm)	Galvanised sheet	Hot-dip galvanised	Stainless steel sheet	RAL options
300	305030 DSG 300	305031 DSG 300 TC	305032 DSG 300 RF	305034 DSG 300 RAL
500	305050 DSG500	305051 DSG 500 TC	305052 DSG 500 RF	305054 DSG 500 RAL
800	305080 DSG 800	305081 DSG 800 TC	305082 DSG 800 RF	305084 DSG 800 RAL

Opomba: Po dogovoru izdelamo tudi stropne nosilce DSG drugih dimenzij (npr. L=1200).

PNSZ ceiling strut

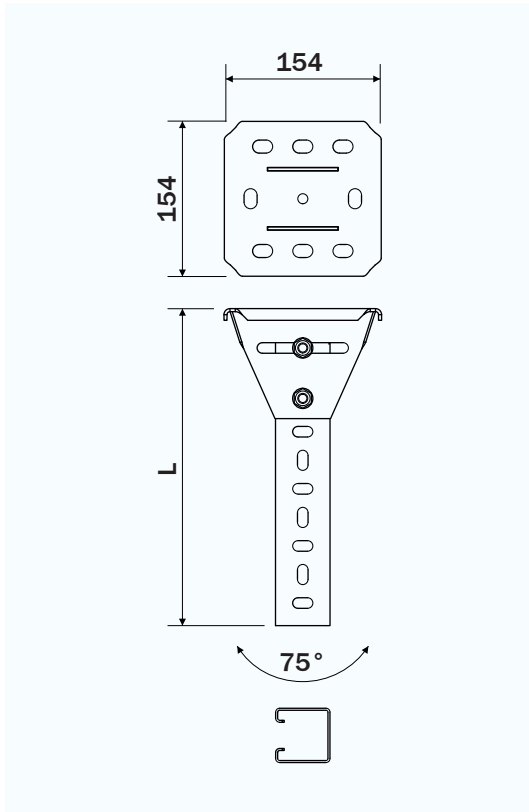


Article numbers and designations:

Bracket length L: (mm)	Galvanised sheet	Hot-dip galvanised	Stainless steel sheet	RAL options
300	306030 PNSZ 300	306031 PNSZ 300 TC	306032 PNSZ 300 RF	306034 PNSZ 300 RAL
400	306040 PNSZ 400	306041 PNSZ 400 TC	306042 PNSZ 400 RF	306044 PNSZ 400 RAL
500	306050 PNSZ 500	306051 PNSZ 500 TC	306052 PNSZ 500 RF	306054 PNSZ 500 RAL
600	306060 PNSZ 600	306061 PNSZ 600 TC	306062 PNSZ 600 RF	306064 PNSZ 600 RAL
700	306070 PNSZ 700	306071 PNSZ 700 TC	306072 PNSZ 700 RF	306074 PNSZ 700 RAL
800	306080 PNSZ 800	306081 PNSZ 800 TC	306082 PNSZ 800 RF	306084 PNSZ 800 RAL
1000	306100 PNSZ 1000	306101 PNSZ 1000 TC	306102 PNSZ 1000 RF	306104 PNSZ 1000 RAL

Note: We also fabricate custom PNSZ ceiling brackets of other sizes
(for instance L=1200)

PNSV ceiling strut



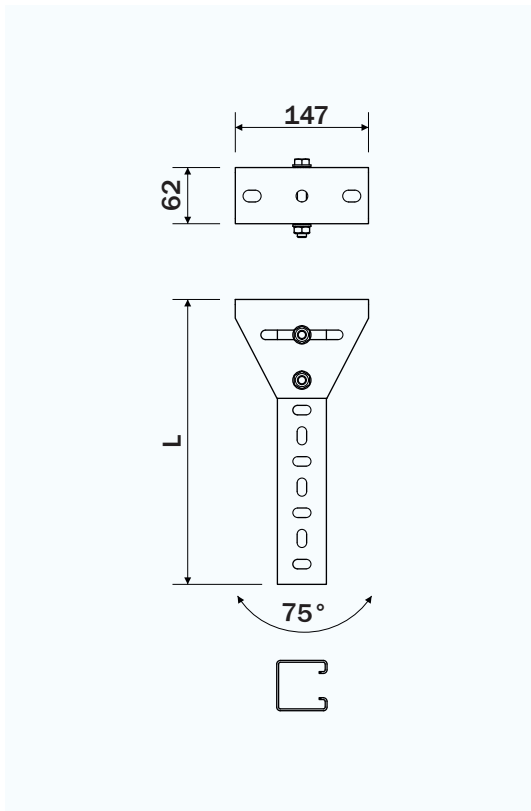
Article numbers and designations:

Bracket length L: (mm)	Galvanised sheet	Hot-dip galvanised	Stainless steel sheet	RAL options
300	307030 PNSV 300	307031 PNSV 300 TC	307032 PNSV300 RF	307034 PNSV 300 RAL
400	307040 PNSV 400	307041 PNSV 400 TC	307042 PNSV400 RF	307044 PNSV 400 RAL
500	307050 PNSV 500	307051 PNSV 500 TC	307052 PNSV500 RF	307054 PNSV 500 RAL
600	307060 PNSV 600	307061 PNSV 600 TC	307062 PNSV600 RF	307064 PNSV 600 RAL
700	307070 PNSV 700	307071 PNSV 700 TC	307072 PNSV700 RF	307074 PNSV 700 RAL
800	307080 PNSV 800	307081 PNSV 800 TC	307082 PNSV800 RF	307084 PNSV 800 RAL
1000	307100 PNSV 1000	307101 PNSV 1000 TC	307102 PNSV1000 RF	307104 PNSV 1000 RAL

(strut + base + spacer + 2 x M10x80 DIN 931 bolt + 2 x M10 DIN 980 nut + 4 x 10 DIN 125 washer + 2 x toothed washer)

Note: We also fabricate custom ordered PNSV ceiling brackets of other sizes (for instance L=1200)

PNSK ceiling strut



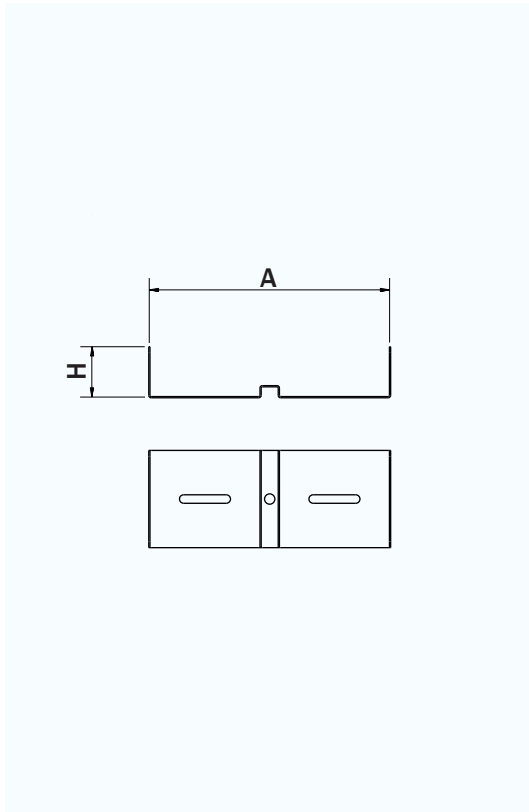
Article numbers and designations:

Bracket length L: (mm)	Galvanised sheet	Hot-dip galvanised	Stainless steel sheet	RAL options
300	308030 PNSK 300	308031 PNSK 300 TC	308032 PNSK 300 RF	308034 PNSK 300 RAL
400	308040 PNSK 400	308041 PNSK 400 TC	308042 PNSK 400 RF	308044 PNSK 400 RAL
500	308050 PNSK 500	308051 PNSK 500 TC	308052 PNSK 500 RF	308054 PNSK 500 RAL
600	308060 PNSK 600	308061 PNSK 600 TC	308062 PNSK 600 RF	308064 PNSK 600 RAL
700	308070 PNSK 700	308071 PNSK 700 TC	308072 PNSK 700 RF	308074 PNSK 700 RAL
800	308080 PNSK 800	308081 PNSK 800 TC	308082 PNSK 800 RF	308084 PNSK 800 RAL
1000	308100 PNSK 1000	308101 PNSK 1000 TC	308102 PNSK 1000 RF	308104 PNSK 1000 RAL

(strut + base + spacer + 2 x M10x80 DIN 931 bolt + 2 x M10 DIN 980 nut + 4 x 10 DIN 125 washer + 2 x toothed washer)

Note: We also fabricate custom ordered PNSK ceiling brackets of other sizes (for instance L=1200)

Ceiling hanger NON

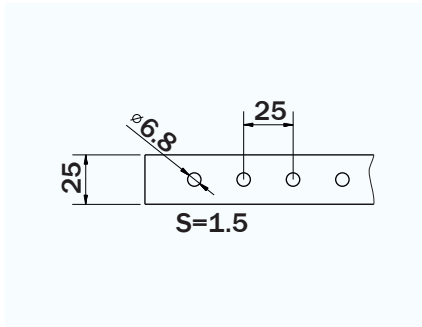


Article numbers and designations:

Tray width and height: A/H (mm)	Galvanised sheet	Hot-dip galvanised	Stainless steel sheet	RAL options
50/30	330050 NON 50/30	330051 NON 50/30 TC	330052 NON 50/30 RF	330054 NON 50/30 RAL
100/50	350100 NON 100/50	350101 NON 100/50 TC	350102 NON 100/50 RF	350104 NON 100/50 RAL
100/60	360100 NON 100/60	360101 NON 100/60 TC	360102 NON 100/60 RF	360104 NON 100/60 RAL
200/50	350200 NON 200/50	350201 NON 200/50 TC	350202 NON 200/50 RF	350204 NON 200/50 RAL
200/60	360200 NON 200/60	360201 NON 200/60 TC	360202 NON 200/60 RF	360204 NON 200/60 RAL
300/50	350300 NON 300/50	350301 NON 300/50 TC	350302 NON 300/50 RF	350304 NON 300/50 RAL
300/60	360300 NON 300/60	360301 NON 300/60 TC	360302 NON 300/60 RF	360304 NON 300/60 RAL



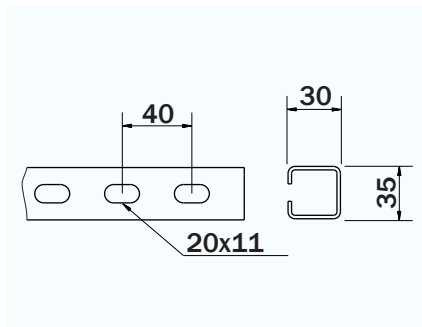
PT perforated strap



Article numbers and designations:

Perforated strap	Galvanised sheet	Hot-dip galvanised	Stainless steel sheet	RAL options
PT L=2000	400030 PT	400031 PT TC	400032 PT RF	400034 PT RAL

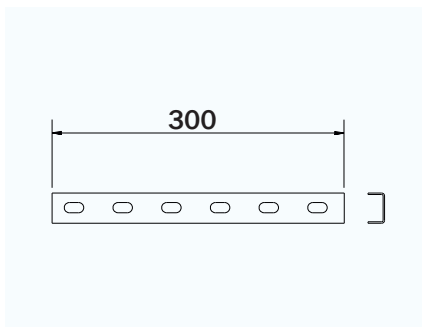
PCP perforated C-channel



Article numbers and designations:

C-channel coupler:	Galvanised sheet	Hot-dip galvanised	Stainless steel sheet	RAL options
PCP L=2500	404030 PCP	404031 PCP TC	404032 PCP RF	404034 PCP RAL

SUCP perforated C-channel coupler

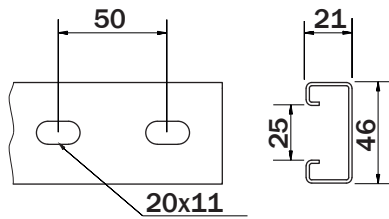


Article numbers and designations:

C-channel coupler:	Galvanised sheet	Hot-dip galvanised	Stainless steel sheet	RAL options
SUCP L=300	404130 SUCP	404131 SUCP TC	404132 SUCR RF	404134 SUCP RAL



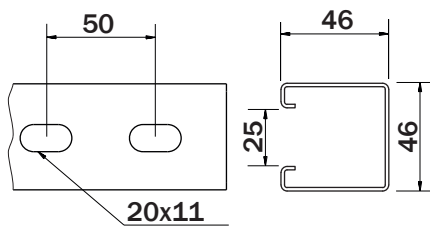
LDE perforated "caddy" strut



Article numbers and designations:

CADDY profile	Galvanised sheet	Hot-dip galvanised	Stainless steel sheet	RAL options
LDE L=2500	404020 LDE	404021 LDE TC	404022 LDE RF	404024 LDE RAL

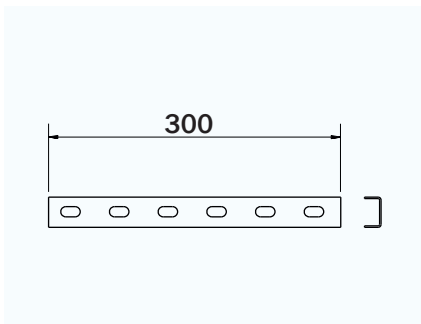
LDE perforated "caddy" strut



Article numbers and designations:

CADDY profile	Galvanised sheet	Hot-dip galvanised	Stainless steel sheet	RAL options
LDE L=2500	404040 LDE	404041 LDE TC	404042 LDE RF	404044 LDE RAL

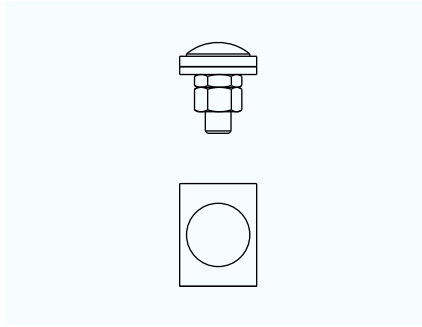
LAE "caddy" strut profile coupler



Article numbers and designations:

C-channel coupler:	Galvanised sheet	Hot-dip galvanised	Stainless steel sheet	RAL options
LAE L=300	404120 LAE	404121 LAE TC	404122 LAE RF	404124 LAE RAL

Fixings for the PNSZ struts – PNSZ-1

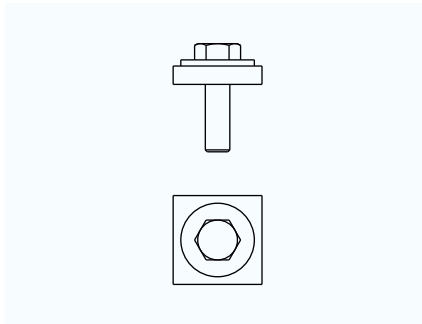


Article numbers and designations:

Fixings for struts	Galvanised sheet	Stainless steel sheet
PNSZ-1	506000 PNSZ-1	506002 PNSZ-1 RF

(M10x30 DIN 603 bolt + 2 plates + 2 nuts)

Fixings for the ESG and DS struts – PPN-1

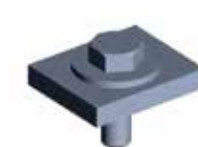
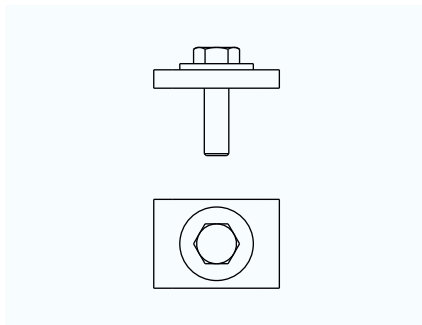


Article numbers and designations:

Fixings for struts	Galvanised sheet	Stainless steel sheet
PPN-1	505000 PPN-1	505002 PPN-1 RF

(M8x25 DIN 933 bolt + threaded plate + no 8 DIN 9021 washer)

Fixings for the "caddy" profiles – PPLDE



Article numbers and designations:

Fixings for struts	Galvanised sheet	Stainless steel sheet
PPLDE	504000 PPLDE	504002 PPLDE RF

(M8x25 DIN 933 bolt + threaded plate + no 8 DIN 9021 washer)