

**BEVEEC**

**CABLE TRAYS**





# THE FUTURE OF EFFICIENT TECHNOLOGIES

The company founders started the business back in 1985, drawing on their years of experience performing residential and commercial electrical installations. From the very first day, we were well aware of the importance of quality, so even in the installations we carried out back then we used hardware fabricated in our own electrical and metalworking workshop. Initially, in the 80s, we were focused on the development and fabrication of distribution enclosures; in the beginning of the 90s we started making cable trays and accessories.



# CABLE TRAYS

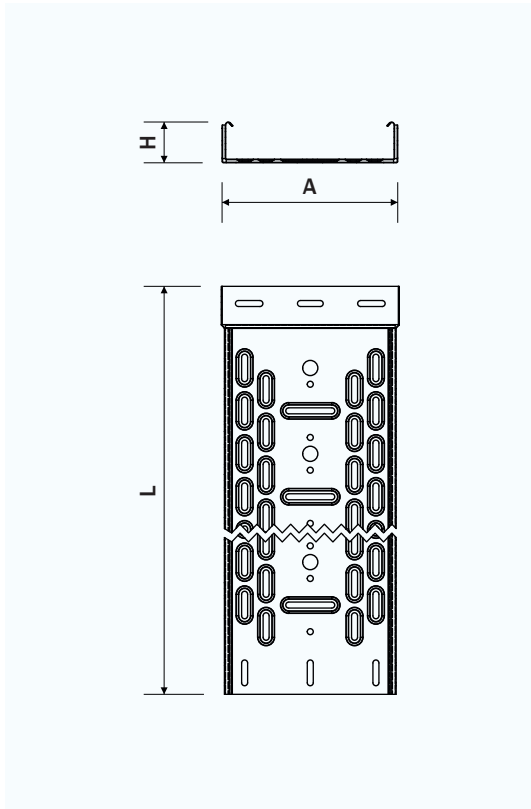
Cable trays are used for distribution in industrial objects, road infrastructure, air and rail transport, as well as electrical transmission and telecommunications; all of these require adaptable and safe wiring installations. We manufacture trays 50 to 600 mm in width and 50 to 60 mm in height. With a wide variety of surface treatments, we fulfil all environmental standards. The trays can be fabricated out of galvanised sheet, hot-dip galvanised sheet and stainless steel sheet, or they can be powder-coated.



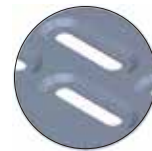
## Cable trays BRO 50

L 2500  
(mm)

H 50 (H 60)  
(mm)



Safety flange



Flared perforations



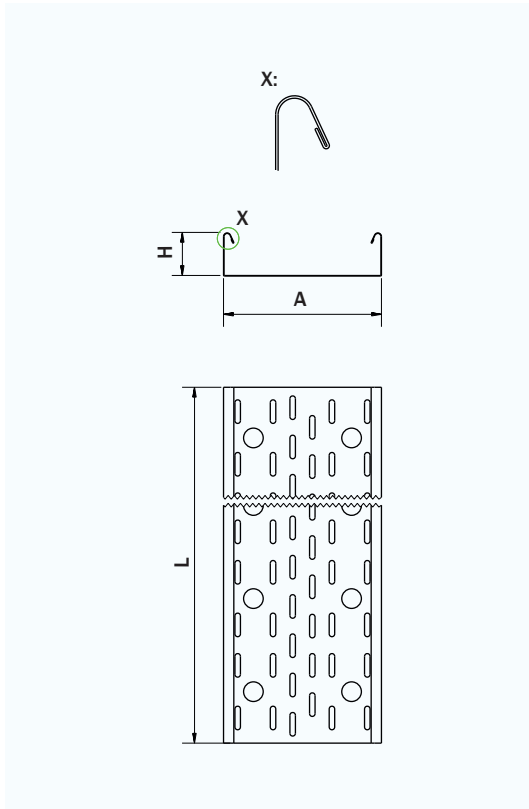
Flared end for simple joining

### Article numbers and designations:

Tray width A: (mm)	Galvanised sheet	Hot-dip galvanised	Stainless steel sheet	RAL options
100	050100 BRO 100/50	050101 BRO100/50 TC	050102 BRO 100/50 RF	050104 BRO 100/50 RAL
200	050200 BRO 200/50	050201 BRO 200/50 TC	050202 BRO 200/50 RF	050204 BRO 200/50 RAL
300	050300 BRO 300/50	050301 BRO 300/50 TC	050302 BRO 300/50 RF	050304 BRO 300/50 RAL
400	050400 BRO 400/50	050401 BRO 400/50 TC	050402 BRO 400/50 RF	050404 BRO 400/50 RAL
500	050500 BRO 500/50	050501 BRO 500/50 TC	050502 BRO 500/50 RF	050504 BRO 500/50 RAL
600	050600 BRO 600/50	050601 BRO 600/50 TC	050602 BRO 600/50 RF	050604 BRO 600/50 RAL



## Cable trays PE 50



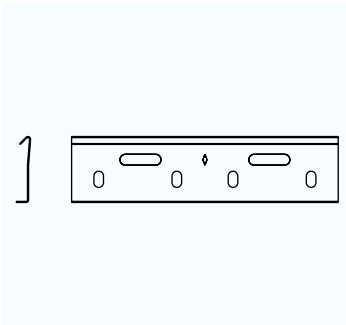
Safety flange

### Article numbers and designations:

Tray width A: (mm)	Galvanised sheet	Hot-dip galvanised	Stainless steel sheet	RAL options
50	031050 PE 50/50	031051 PE 50/50 TC	031052 PE 50/50 RF	031054 PE 50/50 RAL
100	051100 PE 100/50	051101 PE 100/50 TC	051102 PE 100/50 RF	051104 PE 100/50 RAL
200	051200 PE 200/50	051201 PE 200/50 TC	051202 PE 200/50 RF	051204 PE 200/50 RAL
300	051300 PE 300/50	051301 PE 300/50 TC	051302 PE 300/50 RF	051304 PE 300/50 RAL
400	051400 PE 400/50	051401 PE 400/50 TC	051402 PE 400/50 RF	051404 PE 400/50 RAL
500	051500 PE 500/50	051501 PE 500/50 TC	051502 PE 500/50 RF	051504 PE 500/50 RAL
600	051600 PE 600/50	051601 PE 600/50 TC	051602 PE 600/50 RF	051604 PE 600/50 RAL



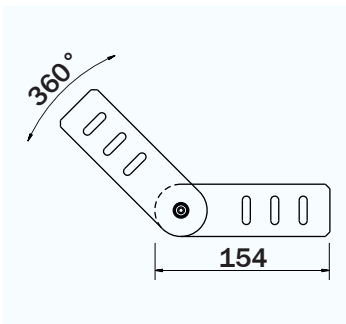
## SU-50 cable tray coupler



Article numbers and designations:

Coupler:	Galvanised sheet	Hot-dip galvanised	Stainless steel sheet	RAL options
<b>SU-50</b>	151000 SU-50	151001 SU-50 TC	151002 SU-50 RF	151004 SU-50 RAL

## SUG-50 hinged cable tray coupler

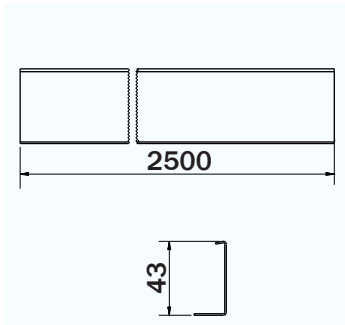


Article numbers and designations:

Coupler:	Galvanised sheet	Hot-dip galvanised	Stainless steel sheet	RAL options
<b>SUG-50</b>	150020 SUG-50	150021 SUG-50 TC	150022 SUG-50 RF	150024 SUG-50 RAL



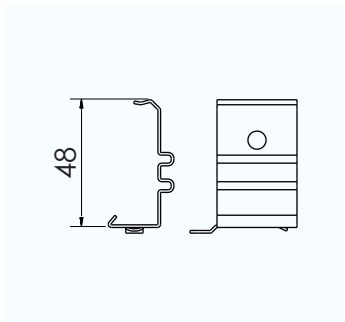
## P-50 cable tray divider



Article numbers and designations:

Divider:	Galvanised sheet	Hot-dip galvanised	Stainless steel sheet
<b>P-50</b>	150000 P-50	150001 P-50 TC	150002 P-50 RF

## Cable tray divider support bracket



Article numbers and designations:

Divider support bracket:	Galvanised sheet	Hot-dip galvanised	Stainless steel sheet
<b>DP-50</b>	150010 DP-50	150011 DP-50 TC	150012 DP-50 RF

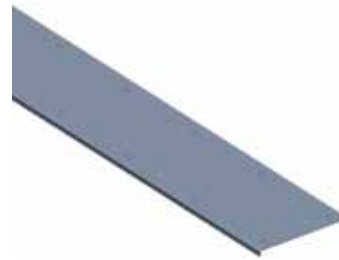
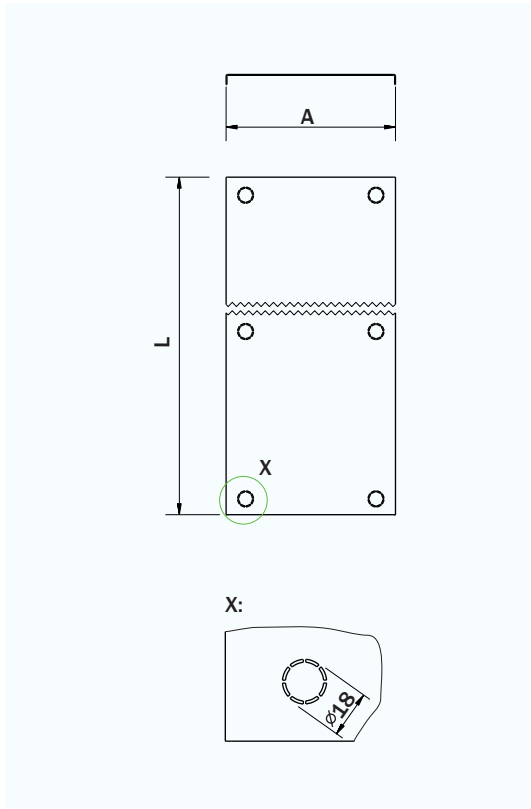




## Cable tray cover PPE

Dolžina L=2500  
(mm)

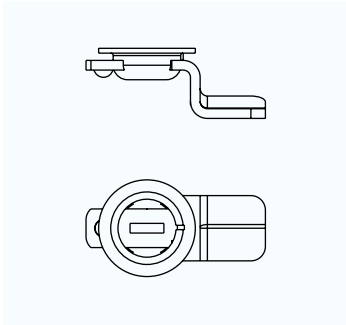
H 50 in H 60  
(mm)



### Article numbers and designations:

Tray width A: (mm)	Galvanised sheet	Hot-dip galvanised	Stainless steel sheet	RAL options
50	100050 PPE-50	100051 PPE-50 TC	100052 PPE-50 RF	100054 PPE-50 RAL
100	100100 PPE-100	100101 PPE-100 TC	100102 PPE-100 RF	100104 PPE-100 RAL
200	100200 PPE-200	100201 PPE-200 TC	100202 PE-200 RF	100204 PPE-200 RAL
300	100300 PPE-300	100301 PPE-300 TC	100302 PPE-300 RF	100304 PPE-300 RAL
400	100400 PPE-400	100401 PPE-400 TC	100402 PPE-400 RF	100404 PPE-400 RAL
500	100500 PPE-500	100501 PPE-500 TC	100502 PPE-500 RF	100504 PPE-500 RAL
600	100600 PPE-600	100601 PPE-600 TC	100602 PPE-600 RF	100604 PPE-600 RAL

## Cable tray cover latch ZAP-1

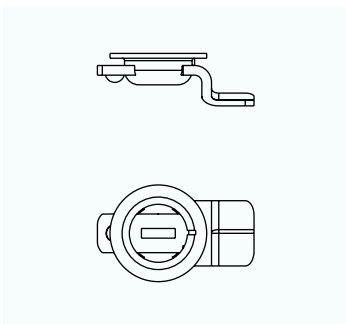


### Article numbers and designations:

Latch	Galvanised sheet	Stainless steel sheet
ZAP-1	100010 ZAP-1	100012 ZAP-1 RF

Note: For all cable trays except PE 50/50, PE 50/60 and H=30

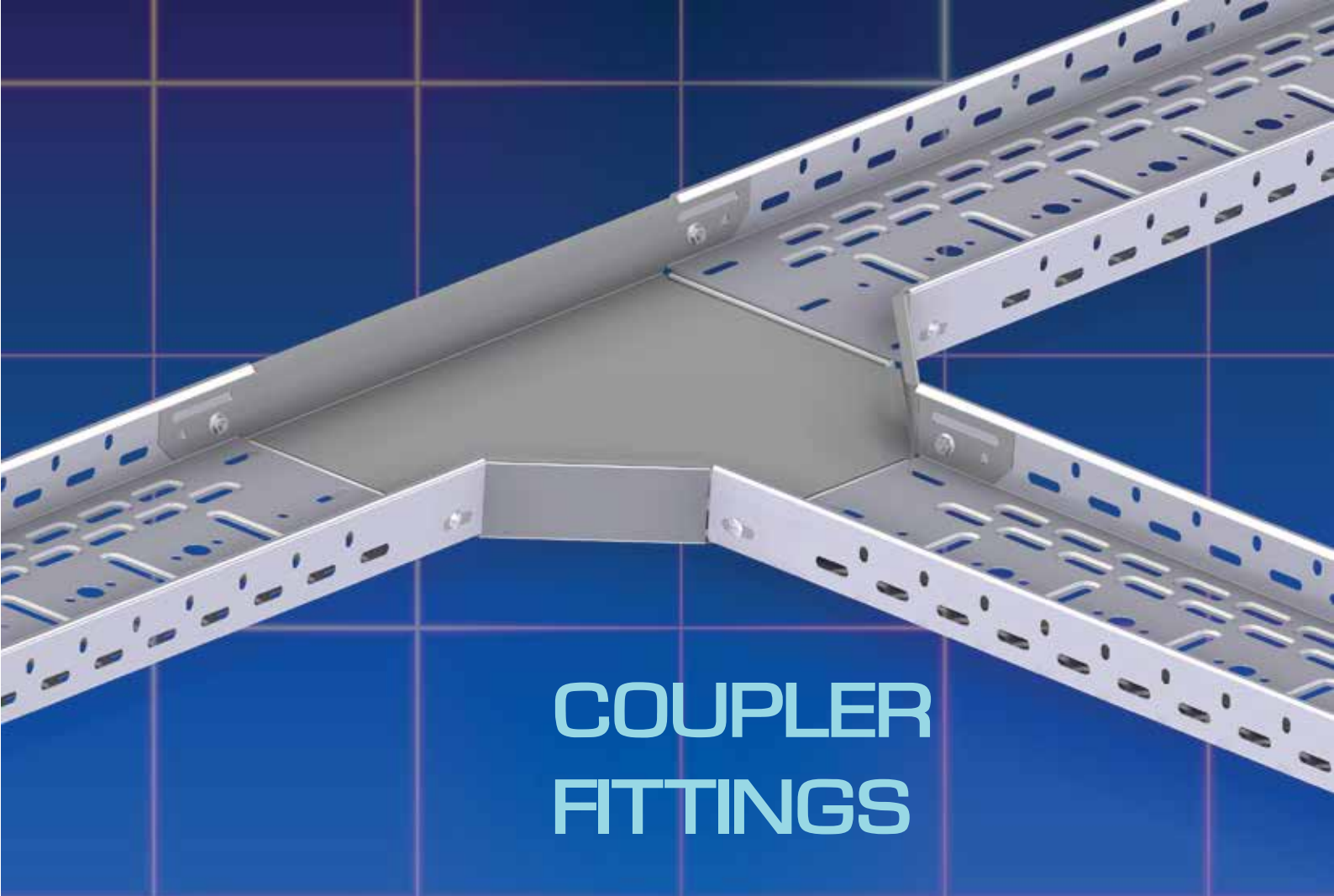
## Cable tray cover latch ZAP-2



### Article numbers and designations:

Latch	Galvanised sheet	Stainless steel sheet
ZAP-2	100020 ZAP-2	100022 ZAP-2 RF

Note: Only for cable trays PE 50/50, PE 50/60 in H=30.

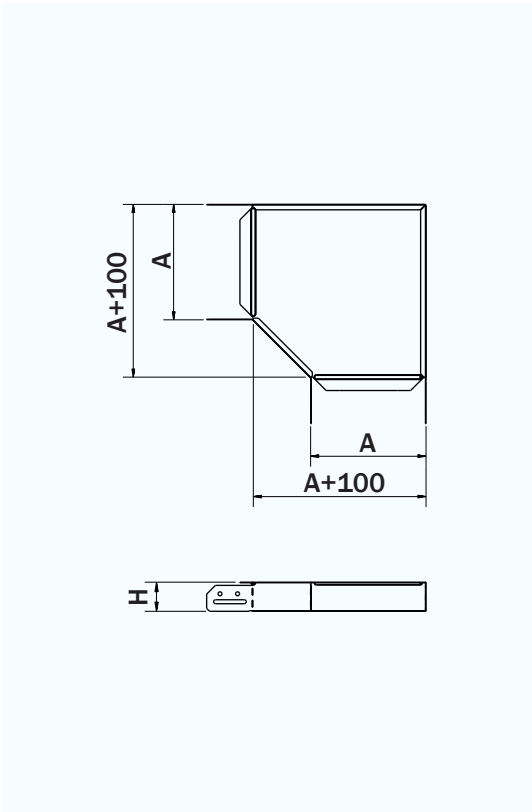


## COUPLER FITTINGS

A wide selection of various bends, couplers and other accessories facilitates the simple installation of cable trays in floor plans of any complexity. All the fittings are made of galvanised sheet; on request, we can also fabricate them out of hot-dip galvanised or stainless steel sheet or with a powder coat finish.



## RK 90° flat bend

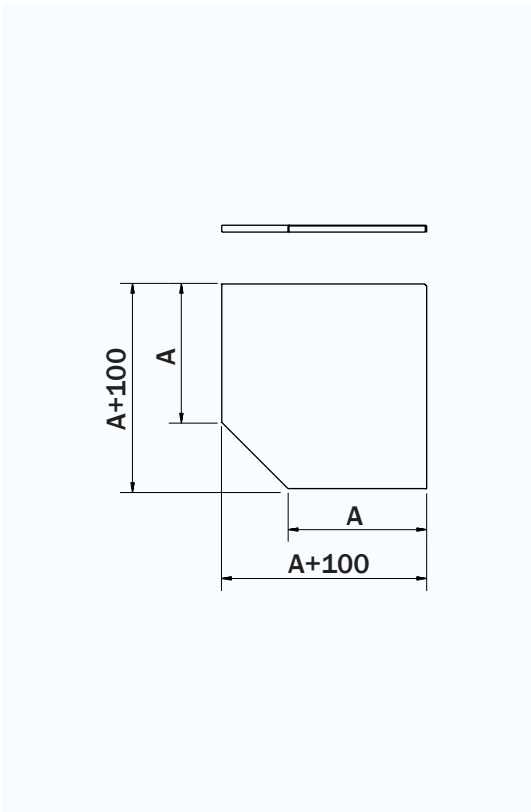


### Article numbers and designations:

Tray width A: (mm)	Galvanised sheet	Hot-dip galvanised	Stainless steel sheet	RAL options
50	230050 RK 50/50	230051 RK 50/50 TC	230052 RK 50/50 RF	230054 RK 50/50 RAL
100	250100 RK 100/50	250101 RK 100/50 TC	250102 RK 100/50 RF	250104 RK 100/50 RAL
200	250200 RK 200/50	250201 RK 200/50 TC	250202 RK 200/50 RF	250204 RK 200/50 RAL
300	250300 RK 300/50	250301 RK 300/50 TC	250302 RK 300/50 RF	250304 RK 300/50 RAL
400	250400 RK 400/50	250401 RK 400/50 TC	250402 RK 400/50 RF	250404 RK 400/50 RAL
500	250500 RK 500/50	250501 RK 500/50 TC	250502 RK 500/50 RF	250504 RK 500/50 RAL
600	250600 RK 600/50	250601 RK 600/50 TC	250602 RK 600/50 RF	250604 RK 600/50 RAL



## PRK 90° flat bend cover

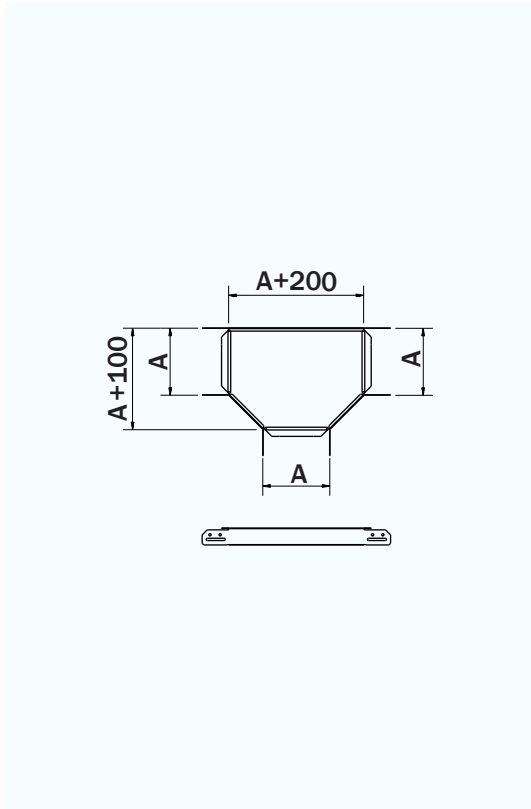


### Article numbers and designations:

Tray width A: (mm)	Galvanised sheet	Hot-dip galvanised	Stainless steel sheet	RAL options
50	130050 PRK 50	130051 PRK 50 TC	130052 PRK 50 RF	130054 PRK 50 RAL
100	150100 PRK 100	150101 PRK 100 TC	150102 PRK 100 RF	150104 PRK 100 RAL
200	150200 PRK 200	150201 PRK 200 TC	150202 PRK 200 RF	150204 PRK 200 RAL
300	150300 PRK 300	150301 PRK 300 TC	150302 PRK 300 RF	150304 PRK 300 RAL
400	150400 PRK 400	150401 PRK 400 TC	150402 PRK 400 RF	150404 PRK 400 RAL
500	150500 PRK 500	150501 PRK 500 TC	150502 PRK 500 RF	150504 PRK 500 RAL
600	150600 PRK 600	150601 PRK 600 TC	150602 PRK 600 RF	150604 PRK 600 RAL



## TK tee

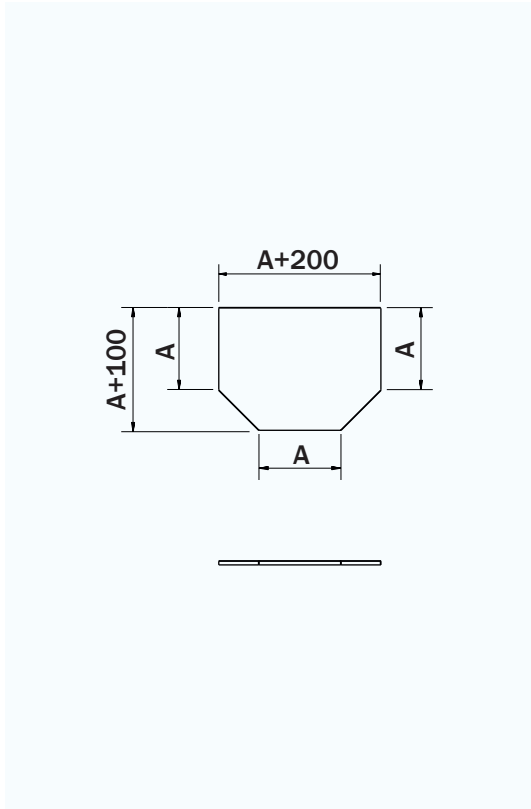


### Article numbers and designations:

Tray width A: (mm)	Galvanised sheet	Hot-dip galvanised	Stainless steel sheet	RAL options
50	231050 TK 50/50	231051 TK 50/50 TC	231052 TK 50/50 RF	231054 TK 50/50 RAL
100	251100 TK 100/50	251101 TK 100/50 TC	251102 TK 100/50 RF	251104 TK 100/50 RAL
200	251200 TK 200/50	251201 TK 200/50 TC	251202 TK 200/50 RF	251204 TK 200/50 RAL
300	251300 TK 300/50	251301 TK 300/50 TC	251302 TK 300/50 RF	251304 TK 300/50 RAL
400	251400 TK 400/50	251401 TK 400/50 TC	251402 TK 400/50 RF	251404 TK 400/50 RAL
500	251500 TK 500/50	251501 TK 500/50 TC	251502 TK 500/50 RF	251504 TK 500/50 RAL
600	251600 TK 600/50	251601 TK 600/50 TC	251602 TK 600/50 RF	251604 TK 600/50 RAL



## PTK tee cover

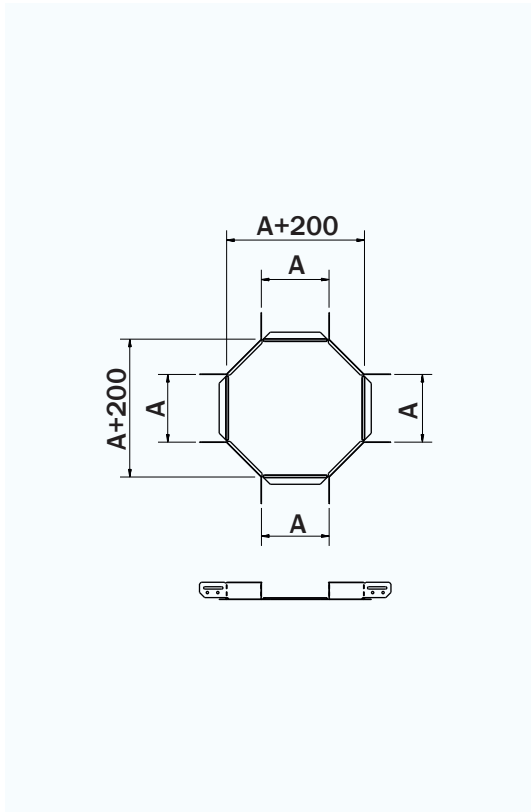


### Article numbers and designations:

Tray width A: (mm)	Galvanised sheet	Hot-dip galvanised	Stainless steel sheet	RAL options
50	131050 PTK 50	131051 PTK 50 TC	131052 PTK 50 RF	131504 PTK 50 RAL
100	151100 PTK 100	151101 PTK 100 TC	151102 PTK 100 RF	151104 PTK 100 RAL
200	151200 PTK 200	151201 PTK 200 TC	151202 PTK 200 RF	151204 PTK 200 RAL
300	151300 PTK 300	1513001 PTK 300 TC	151302 PTK 300 RF	151304 PTK 300 RAL
400	151400 PTK 400	151401 PTK 400 TC	151402 PTK 400 RF	151402 PTK 400 RAL
500	151500 PTK 500	151501 PTK 500 TC	151502 PTK 500 RF	151504 PTK 500 RAL
600	151600 PTK 600	151601 PTK 600 TC	151602 PTK 600 RF	151604 PTK 600 RAL



## KK crossover



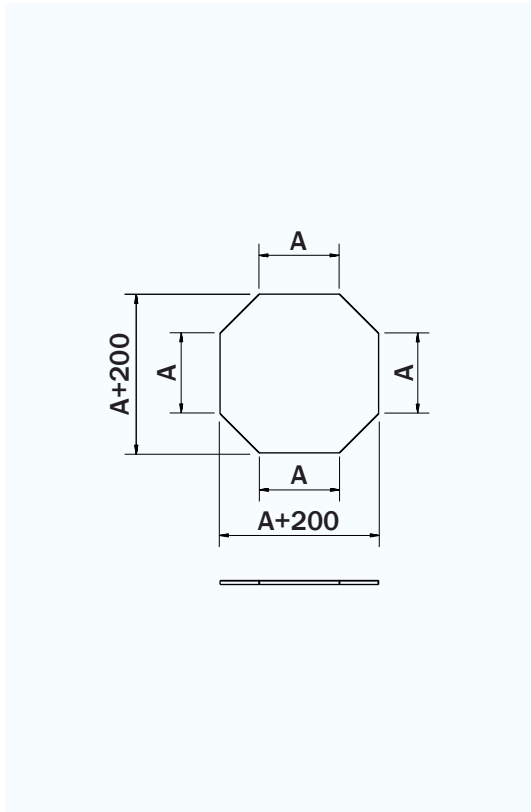
### Article numbers and designations:

Tray width A: (mm)	Galvanised sheet	Hot-dip galvanised	Stainless steel sheet	RAL options
50	232050 KK 50/50	232051 KK 50/50 TC	232052 KK 50/50 RF	232054 KK 50/50 RAL
100	252100 KK 100/50	252101 KK 100/50 TC	252102 KK 100/50 RF	252104 KK 100/50 RAL
200	252200 KK 200/50	252201 KK 200/50 TC	252202 KK 200/50 RF	252204 KK 200/50 RAL
300	252300 KK 300/50	252301 KK 300/50 TC	252302 KK 300/50 RF	252304 KK 300/50 RAL
400	252400 KK 400/50	252401 KK 400/50 TC	252402 KK 400/50 RF	252404 KK 400/50 RAL
500	252500 KK 500/50	252501 KK 500/50 TC	252502 KK 500/50 RF	252504 KK 500/50 RAL
600	252600 KK 600/50	252601 KK 600/50 TC	2526002 KK 600/50 RF	252604 KK 600/50 RAL





## PKK crossover cover

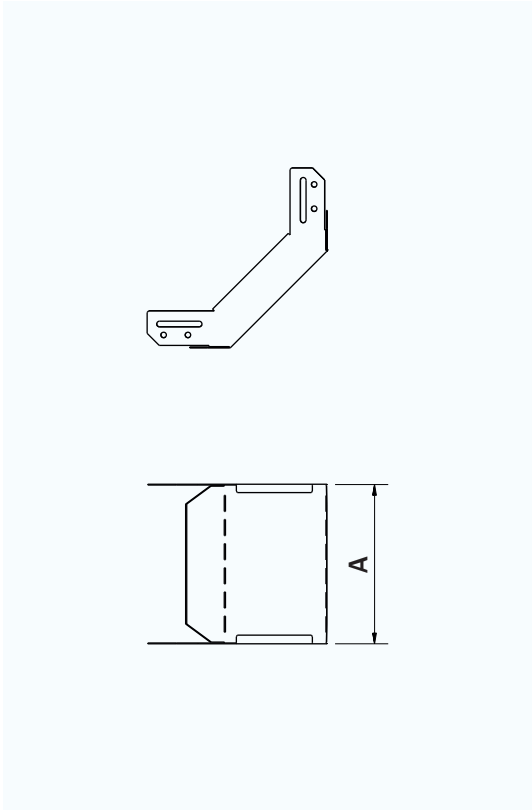


### Article numbers and designations:

Tray width A: (mm)	Galvanised sheet	Hot-dip galvanised	Stainless steel sheet	RAL options
50	132050 PKK 50	132051 PKK 50 TC	132052 PKK 50 RF	132054 PKK 50 RAL
100	152100 PKK 100	152101 PKK 100 TC	152102 PKK 100 RF	152104 PKK 100 RAL
200	152200 PKK 200	152201 PKK 200 TC	152202 PKK 200 RF	152204 PKK 200 RAL
300	152300 PKK 300	152301 PKK 300 TC	152302 PKK 300 RF	152304 PKK 300 RAL
400	152400 PKK 400	152401 PKK 400 TC	152402 PKK 400 RF	152404 PKK 400 RAL
500	152500 PKK 500	152501 PKK 500 TC	152502 PKK 500 RF	152504 PKK 500 RAL
600	152600 PKK 600	152601 PKK 600 TC	152602 PKK 600 RF	152604 PKK 600 RAL



## VKN inside riser

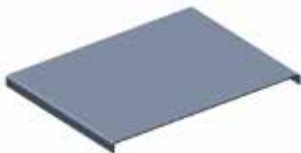
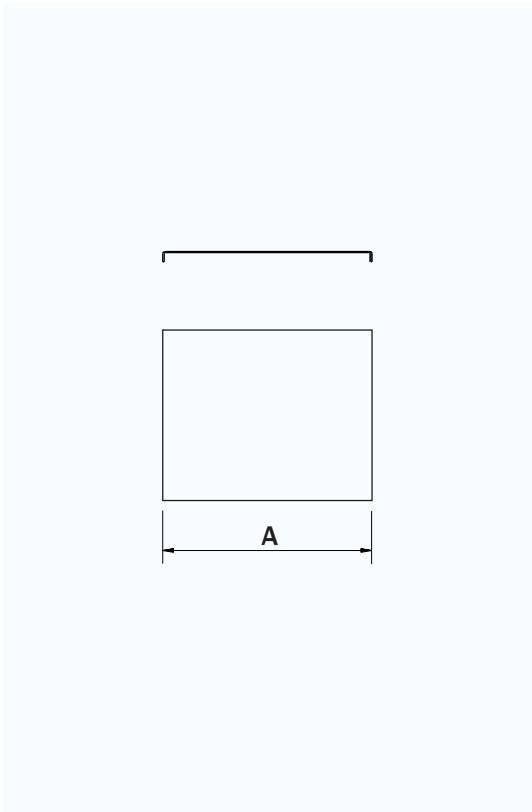


Article numbers and designations:

Tray width A: (mm)	Galvanised sheet	Hot-dip galvanised	Stainless steel sheet	RAL options
50	233050 VKN 50/50	233051 VKN 50/50 TC	233052 VKN 50/50 RF	233054 VKN 50/50 RAL
100	253100 VKN 100/50	253101 VKN 100/50 TC	253102 VKN 100/50 RF	253104 VKN 100/50 RAL
200	253200 VKN 200/50	253201 VKN 200/50 TC	253202 VKN 200/50 RF	253204 VKN 200/50 RAL
300	253300 VKN 300/50	253301 VKN 300/50 TC	253302 VKN 300/50 RF	253304 VKN 300/50 RAL
400	253400 VKN 400/50	253401 VKN 400/50 TC	253402 VKN 400/50 RF	253404 VKN 400/50 RAL
500	253500 VKN 500/50	253501 VKN 500/50 TC	253502 VKN 500/50 RF	253504 VKN 500/50 RAL
600	253600 VKN 600/50	253601 VKN 600/50 TC	253602 VKN 600/50 RF	253604 VKN 600/50 RAL



## PVKN inside riser cover

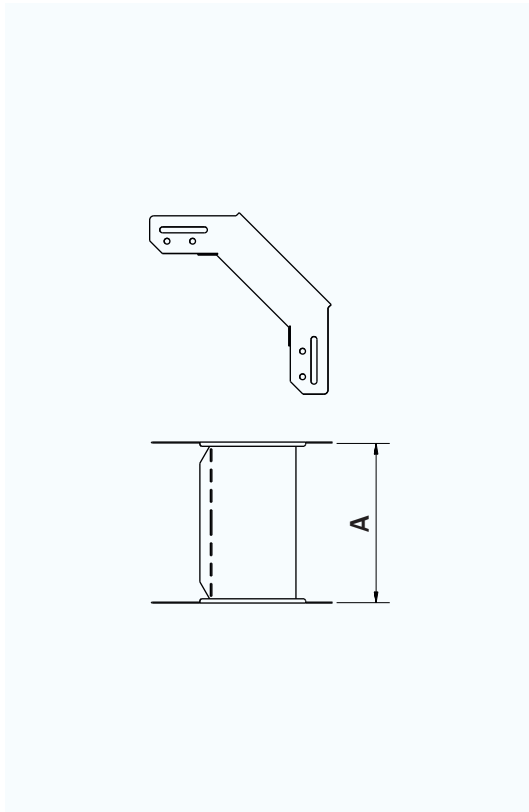


### Article numbers and designations:

Tray width A: (mm)	Galvanised sheet	Hot-dip galvanised	Stainless steel sheet	RAL options
50	133050 PVKN 50	133051 PVKN 50 TC	133052 PVKN 50 RF	133054 PVKN 50 RAL
100	153100 PVKN 100	153101 PVKN 100 TC	153102 PVKN 100 RF	153104 PVKN 100 RAL
200	153200 PVKN 200	153201 PVKN 200 TC	153202 PVKN 200 RF	153204 PVKN 200 RAL
300	153300 PVKN 300	153301 PVKN 300 TC	153302 PVKN 300 RF	153304 PVKN 300 RAL
400	153400 PVKN 400	153401 PVKN 400 TC	153402 PVKN 400 RF	153404 PVKN 400 RAL
500	153500 PVKN 500	153501 PVKN 500 TC	153502 PVKN 500 RF	153504 PVKN 500 RAL
600	153600 PVKN 600	153601 PVKN 600 TC	153602 PVKN 600 RF	153604 PVKN 600 RAL



## VKZ outside riser

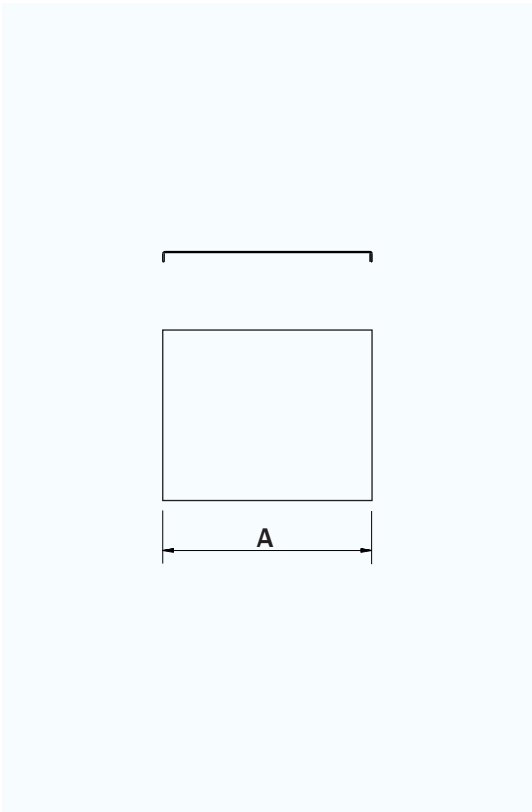


### Article numbers and designations:

Tray width A: (mm)	Galvanised sheet	Hot-dip galvanised	Stainless steel sheet	RAL options
<b>50</b>	234050 VKZ 50/50	234051 VKZ 50/50 TC	234052 VKZ 50/50 RF	234054 VKZ 50/50 RAL
<b>100</b>	254100 VKZ 100/50	254101 VKZ 100/50 TC	254102 VKZ 100/50 RF	254104 VKZ 100/50 RAL
<b>200</b>	254200 VKZ 200/50	254201 VKZ 200/50 TC	254202 VKZ 200/50 RF	254204 VKZ 200/50 RAL
<b>300</b>	254300 VKZ 300/50	254301 VKZ 300/50 TC	254302 VKZ 300/50 RF	254304 VKZ 300/50 RAL
<b>400</b>	254400 VKZ 400/50	254401 VKZ 400/50 TC	254402 VKZ 400/50 RF	254404 VKZ 400/50 RAL
<b>500</b>	254500 VKZ 500/50	254501 VKZ 500/50 TC	254502 VKZ 500/50 RF	254504 VKZ 500/50 RAL
<b>600</b>	254600 VKZ 600/50	254601 VKZ 600/50 TC	254602 VKZ 600/50 RF	254604 VKZ 600/50 RAL



## PVKZ outside riser cover

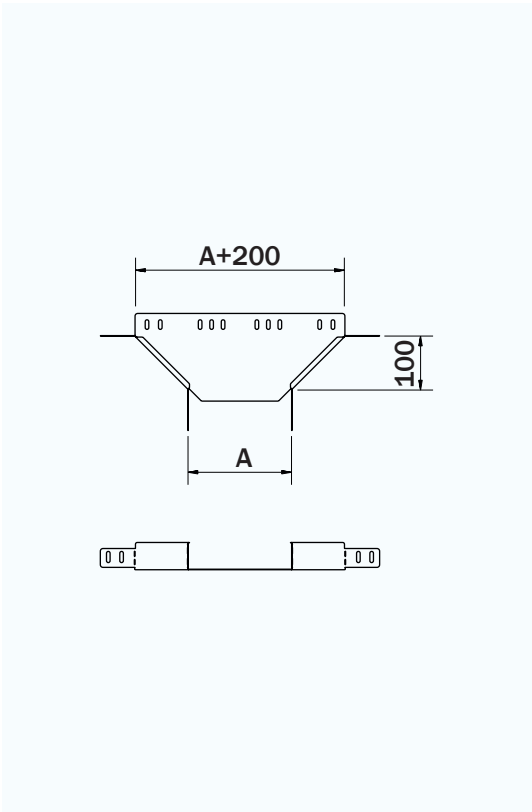


Article numbers and designations:

Tray width A: (mm)	Galvanised sheet	Hot-dip galvanised	Stainless steel sheet	RAL options
50	134050 PVKZ 50	134051 PVKZ 50 TC	134052 PVKZ 50 RF	134054 PVKZ 50 RAL
100	154100 PVKZ 100	154101 PVKZ 100 TC	154102 PVKZ 100 RF	154104 PVKZ 100 RAL
200	154200 PVKZ 200	154201 PVKZ 200 TC	154202 PVKZ 200 RF	154204 PVKZ 200 RAL
300	154300 PVKZ 300	154301 PVKZ 300 TC	154302 PVKZ 300 RF	154304 PVKZ 300 RAL
400	154400 PVKZ 400	154401 PVKZ 400 TC	154402 PVKZ 400 RF	154404 PVKZ 400 RAL
500	154500 PVKZ 500	154501 PVKZ 500 TC	154502 PVKZ 500 RF	154504 PVKZ 500 RAL
600	154600 PVKZ 600	154601 PVKZ 600 TC	154602 PVKZ 600 RF	154604 PVKZ 600 RAL



## OK side branch tee

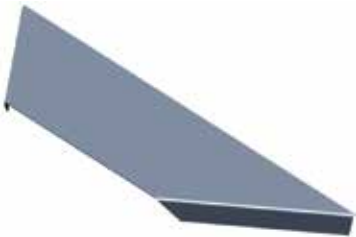
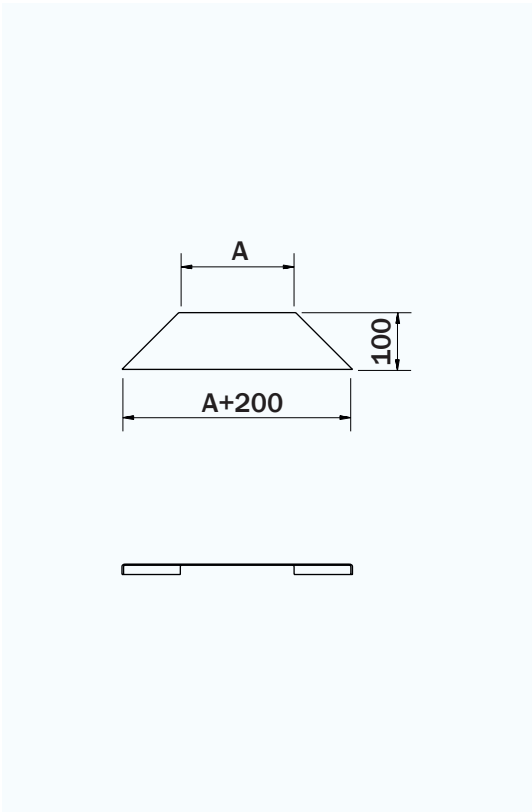


Article numbers and designations:

Tray width A: (mm)	Galvanised sheet	Hot-dip galvanised	Stainless steel sheet	RAL options
<b>50</b>	235050 OK 50/50	235051 OK 50/50 TC	235052 OK 50/50 RF	235504 OK 50/50 RAL
<b>100</b>	255100 OK 100/50	255101 OK 100/50 TC	255102 OK 100/50 RF	255104 OK 100/50 RAL
<b>200</b>	255200 OK 200/50	255201 OK 200/50 TC	255202 OK 200/50 RF	255204 OK 200/50 RAL
<b>300</b>	255300 OK 300/50	255301 OK 300/50 TC	255302 OK 300/50 RF	255304 OK 300/50 RAL
<b>400</b>	255400 OK 400/50	255401 OK 400/50 TC	255402 OK 400/50 RF	255404 OK 400/50 RAL
<b>500</b>	255500 OK 500/50	255501 OK 500/50 TC	255502 OK 500/50 RF	255504 OK 500/50 RAL
<b>600</b>	255600 OK 600/50	255601 OK 600/50 TC	255602 OK 600/50 RF	255604 OK 600/50 RAL



## POK side branch tee cover

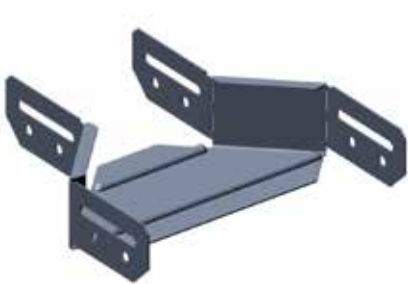
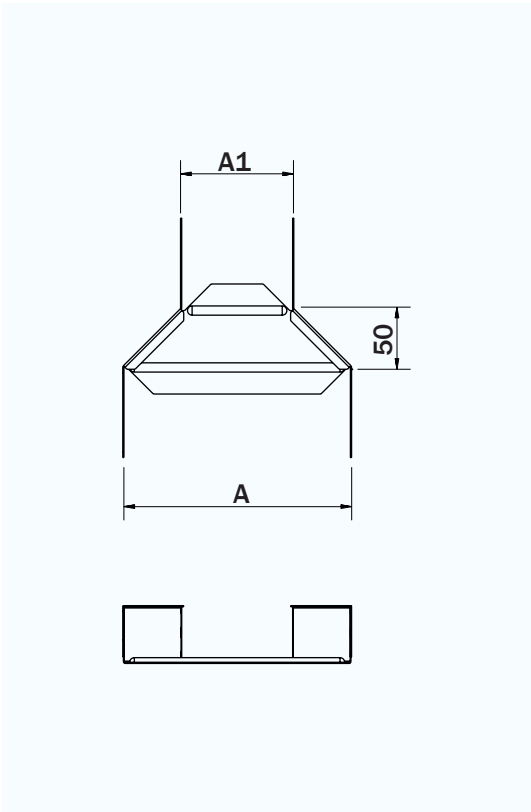


Article numbers and designations:

Tray width A: (mm)	Galvanised sheet	Hot-dip galvanised	Stainless steel sheet	RAL options
50	135050 POK 50	135051 POK 50 TC	135052 POK 50 RF	135054 POK 50 RAL
100	155100 POK 100	155101 POK 100 TC	155102 POK 100 RF	155104 POK 100 RAL
200	155200 POK 200	155201 POK 200 TC	155202 POK 200 RF	155204 POK 200 RAL
300	155300 POK 300	155301 POK 300 TC	155302 POK 300 RF	155304 POK 300 RAL
400	155400 POK 400	155401 POK 400 TC	155402 POK 400 RF	155404 POK 400 RAL
500	155500 POK 500	155501 POK 500 TC	155502 POK 500 RF	155504 POK 500 RAL
600	155600 POK 600	155601 POK 600 TC	155602 POK 600 RF	155604 POK 600 RAL



RE reducer



Article numbers and designations:

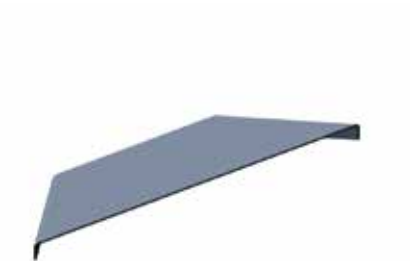
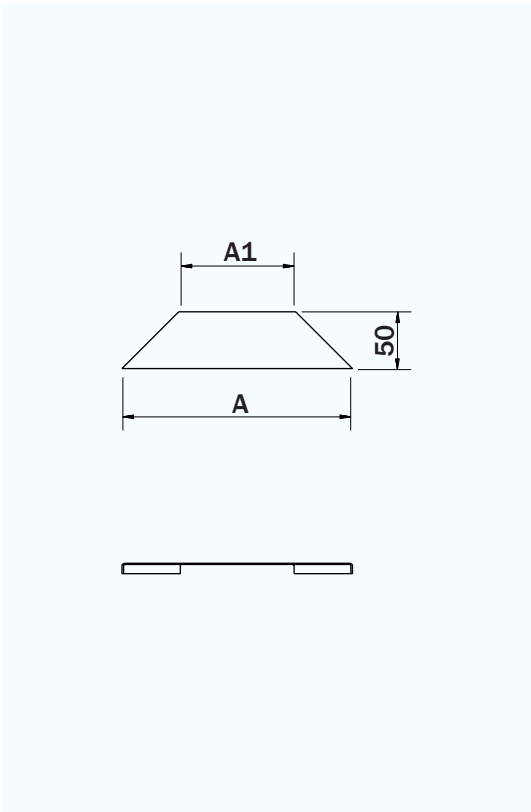
Tray width A and A1 (mm)	Galvanised sheet	Hot-dip galvanised	Stainless steel sheet	RAL options
200>100	256100 RE 200/100/50	256101 RE 200/100/50 TC	256102 RE 200/100/50 RF	256104 RE 200/100/50 RAL
300>200	256200 RE 300/200/50	256201 RE 300/200/50 TC	256202 RE 300/200/50 RF	256204 RE 300/200/50 RAL
400>300	256300 RE 400/300/50	256301 RE 400/300/50 TC	256302 RE 400/300/50 RF	256304 RE 400/300/50 RAL

Note: We also fabricate custom reducers of other sizes (for instance 400/200/50)  
Made to order reducer: RE 256XXX.





PRE reducer cover



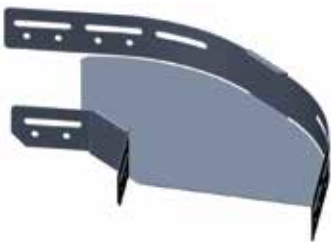
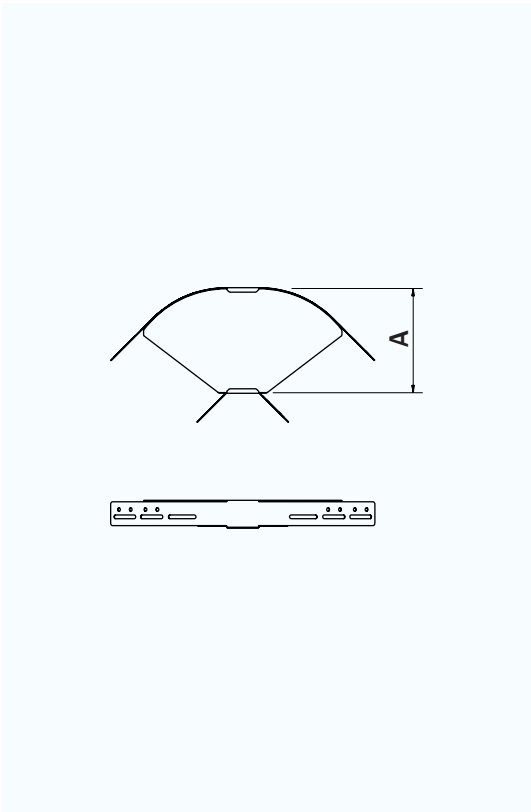
Article numbers and designations:

Tray width A and A1 (mm)	Galvanised sheet	Hot-dip galvanised	Stainless steel sheet	RAL options
200>100	156100 PRE 200/100	156101 PRE 200/100 TC	156102 PRE 200/100 RF	156104 PRE 200/100 RAL
300>200	156200 PRE 300/200	156201 PRE 300/200 TC	156202 PRE 300/200 RF	156204 PRE 300/200 RAL
400>300	156300 PRE 400/300	156301 PRE 400/300 TC	156302 PRE 400/300 RF	156304 PRE 400/300 RAL

Note: We also fabricate custom reducer covers of other sizes (for instance 400/200/50) Made to order reducer cover: PRE 156XXX.



## HNK adjustable flat bend

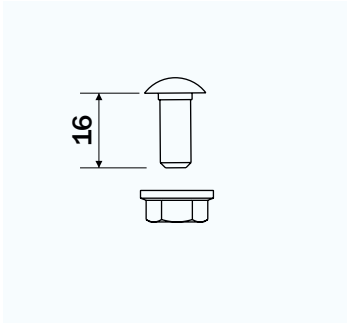


**Article numbers and designations:**

Tray width A: (mm)				
<b>50</b>	237050	237051	237052	237054
	HNK 50/50	HNK 50/50 TC	HNK 50/50 RF	HNK 50/50 RAL
<b>100</b>	257100	257101	257102	257104
	HNK 100/50	HNK 100/50 TC	HNK 100/50 RF	HNK 100/50 RAL
<b>200</b>	257200	257201	257202	257204
	HNK 200/50	HNK 200/50 TC	HNK 200/50 RF	HNK 200/50 RAL
<b>300</b>	257300	257301	257302	257304
	HNK 300/50	HNK 300/50 TC	HNK 300/50 RF	HNK 300/50 RAL
<b>400</b>	257400	257401	257402	257404
	HNK 400/50	HNK 400/50 TC	HNK 400/50 RF	HNK 400/50 RAL
<b>500</b>	257500	257501	257502	257504
	HNK 500/50	HNK 500/50 TC	HNK 500/50 RF	HNK 500/50 RAL
<b>600</b>	257600	257601	257602	257604
	HNK 600/50	HNK 600/50 TC	HNK 600/50 RF	HNK 600/50 RAL



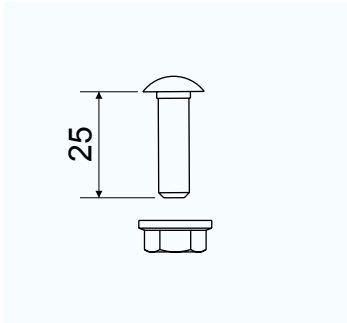
VE-03 bolt



Article numbers and designations:

Bolt:	Galvanised	Stainless steel
VE-03	500160 VE-03	500162 VE-03 RF

VE-03 P lengthened bolt

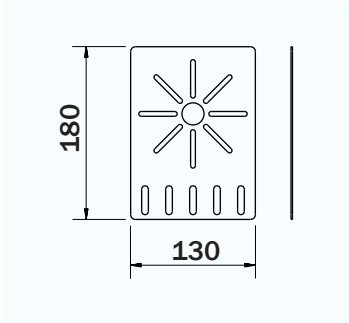


Article numbers and designations:

Lengthened bolt:	Galvanised	Stainless steel
VE-03 P	500250 VE-03 P	500252 VE-03 P RF



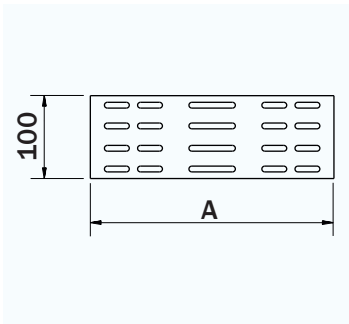
### ND junction box holder



Article numbers and designations:

Junction box holder	Galvanised sheet	Hot-dip galvanised	Stainless steel sheet	RAL options
ND	307050 ND	307051 ND TC	307052 ND RF	307054 ND RAL

### SUD bottom coupler



Article numbers and designations:

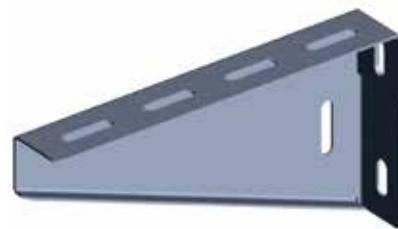
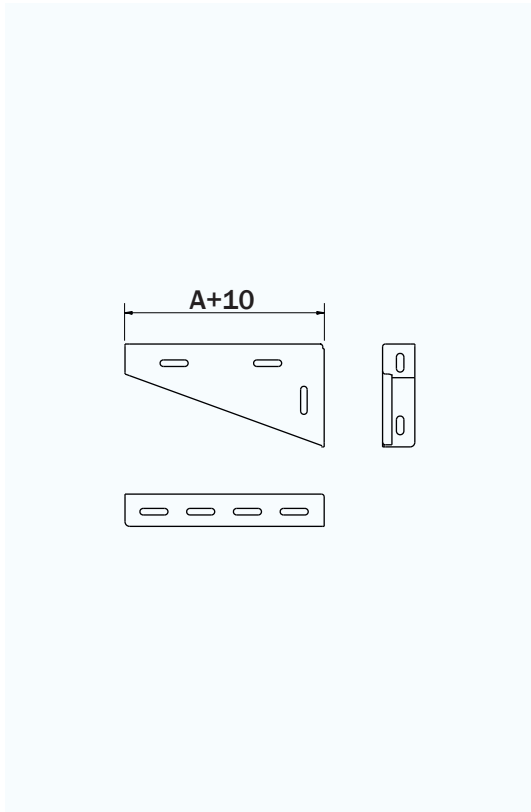
Tray width A: (mm)	Galvanised sheet	Hot-dip galvanised	Stainless steel sheet	RAL options
200	101200 SUD 200	101201 SUD 200 TC	101202 SUD 200 RF	101204 SUD 200 RAL
300	101300 SUD 300	101301 SUD 300 TC	101302 SUD 300 RF	101304 SUD 300 RAL
400	101400 SUD 400	101401 SUD 400 TC	101402 SUD 400 RF	101404 SUD 400 RAL
500	101500 SUD 500	101501 SUD 500 TC	101502 SUD 500 RF	101504 SUD 500 RAL
600	101600 SUD 600	101601 SUD 600 TC	101602 SUD 600 RF	101604 SUD 600 RAL



## SUPPORT STRUTS AND ACCESSORIES

Cable tray installations in the many different types of building necessitate a wide variety of support struts, brackets and hangers. The support struts and brackets are typically galvanised; for use in objects exposed to especially demanding ambient conditions, the hardware can also be made of hot-dip galvanised or stainless steel sheet.

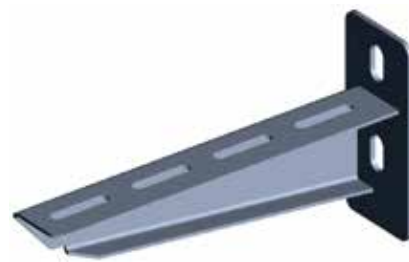
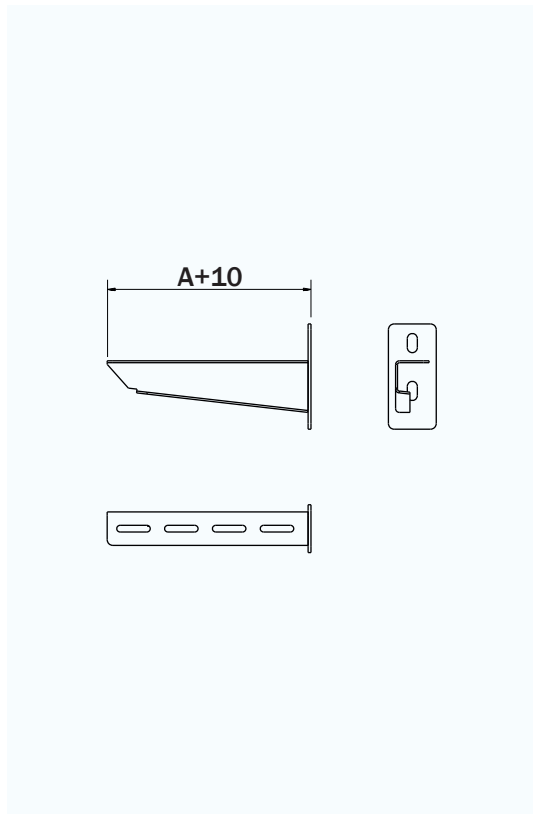
## ZN wall-mounted cantilever arm



### Article numbers and designations:

Tray width A: (mm)	Galvanised sheet	Hot-dip galvanised	Stainless steel sheet	RAL options
50	300050 ZN 50	300051 ZN 50 TC	300052 ZN 50 RF	300054 ZN 50 RAL
100	300100 ZN 100	300101 ZN 100 TC	300102 ZN 100 RF	300104 ZN 100 RAL
200	300200 ZN 200	300201 ZN 200 TC	300202 ZN 200 RF	300204 ZN 200 RAL
300	300300 ZN 300	300301 ZN 300 TC	300302 ZN 300 RF	300304 ZN 300 RAL
400	300400 ZN 400	300401 ZN 400 TC	300402 ZN 400 RF	300404 ZN 400 RAL

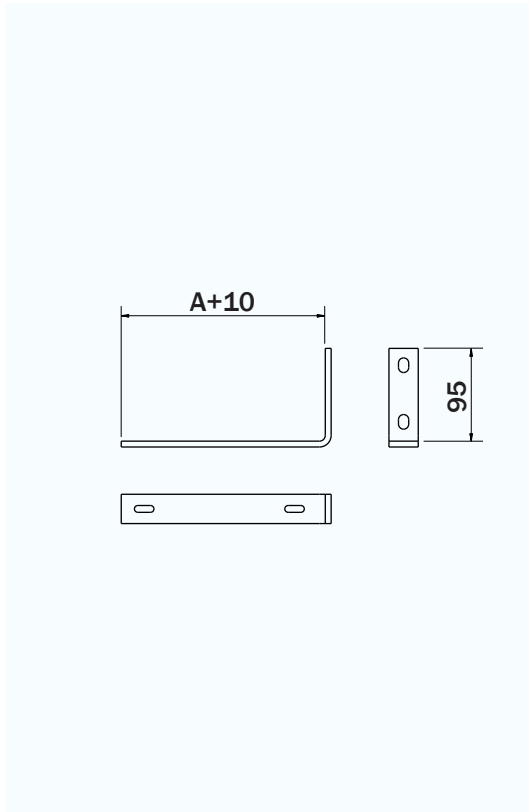
## ZNM reinforced wall-mounted cantilever arm



### Article numbers and designations:

Tray width A: (mm)	Galvanised	Hot-dip galvanised	Stainless steel sheet	RAL options
<b>100</b>	301100 ZNM 100	301101 ZNM 100 TC	301102 ZNM 100 RF	301104 ZNM 100 RAL
<b>200</b>	301200 ZNM 200	301201 ZNM 200 TC	301202 ZNM 200 RF	301204 ZNM 200 RAL
<b>300</b>	301300 ZNM 300	301301 ZNM 300 TC	301302 ZNM 300 RF	301304 ZNM 300 RAL
<b>400</b>	301400 ZNM 400	301401 ZNM 400 TC	301402 ZNM 400 RF	301404 ZNM 400 RAL
<b>500</b>	301500 ZNM 500	301501 ZNM 500 TC	301502 NM 500 RF	301504 ZNM 500 RAL
<b>600</b>	301600 ZNM 600	301601 ZNM 600 TC	301602 ZNM 600 RF	301604 ZNM 600 RAL

## ZNL wall-mounted bracket

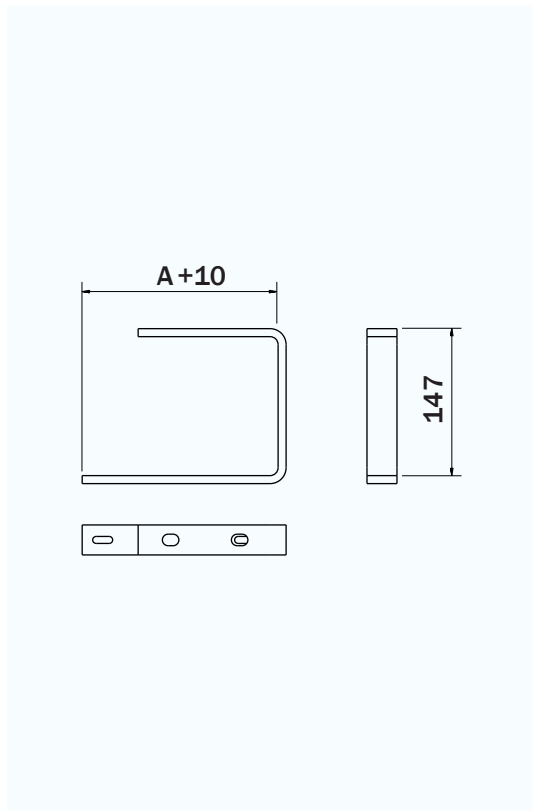


### Article numbers and designations:

Tray width A: (mm)	Galvanised sheet	Hot-dip galvanised	Stainless steel sheet	RAL options
50	302050 ZNL 50	302051 ZNL 50 TC	302052 ZNL 50 RF	302054 ZNL 50 RAL
100	302100 ZNL 100	302101 ZNL 100 TC	302102 ZNL 100 RF	302104 ZNL 100 RAL
200	302200 ZNL 200	302201 ZNL 200 TC	302202 ZNL 200 RF	302204 ZNL 200 RAL
300	302300 ZNL 300	302301 ZNL 300 TC	302302 ZNL 300 RF	302304 ZNL 300 RAL
400	302400 ZNL 400	302401 ZNL 400 TC	302402 ZNL 400 RF	302404 ZNL 400 RAL
500	302500 ZNL 500	302501 ZNL 500 TC	302502 ZNL 500 RF	302504 ZNL 500 RAL



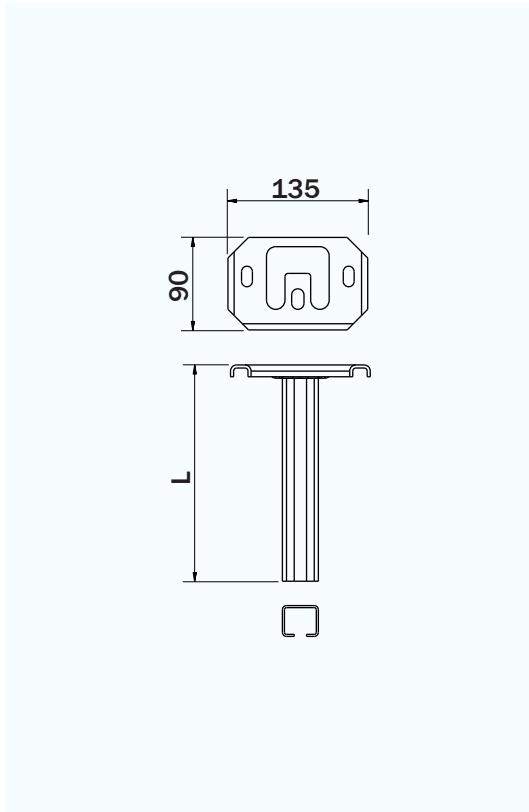
## SNU ceiling C-bracket



### Article numbers and designations:

Tray width A: (mm)	Galvanised sheet	Hot-dip galvanised	Stainless steel sheet	RAL options
50	303050 SNU 50	303051 SNU 50 TC	303052 SNU 50 RF	303054 SNU 50 RAL
100	303100 SNU 100	303101 SNU 100 TC	303102 SNU 100 RF	303104 SNU 100 RAL
200	303200 SNU 200	303201 SNU 200 TC	303202 SNU 200 RF	303204 SNU 200 RAL
300	303300 SNU 300	303301 SNU 300 TC	303302 SNU 300 RF	303304 SNU 300 RAL
400	303400 SNU 400	303401 SNU 400 TC	303402 SNU 400 RF	303404 SNU 400 RAL

## ESG ceiling strut

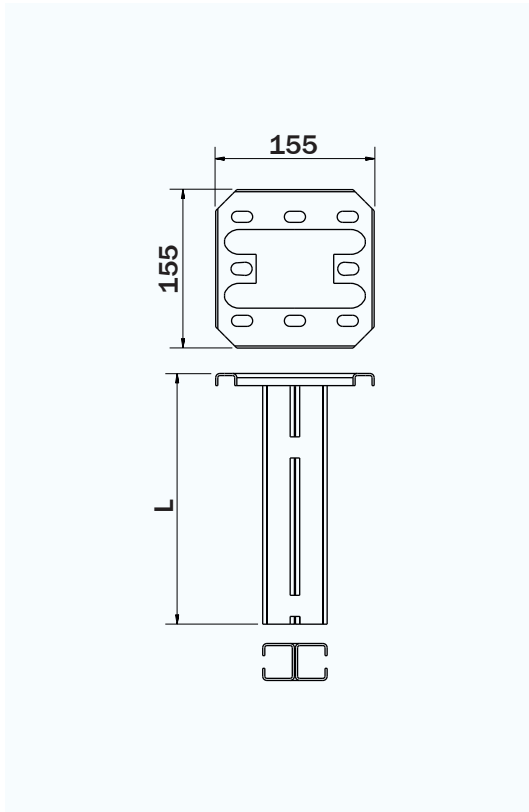


### Article numbers and designations:

Bracket length L: (mm)	Galvanised sheet	Hot-dip galvanised	Stainless steel sheet	RAL options
<b>300</b>	304030 ESG 300	304031 ESG 300 TC	304032 ESG 300 RF	304034 ESG 300 RAL
<b>500</b>	304050 ESG 500	304051 ESG 500 TC	304052 ESG 500 RF	304054 ESG 500 RAL
<b>800</b>	304080 ESG 800	304081 ESG 800 TC	304082 ESG 800 RF	304084 ESG 800 RAL

Note: We also fabricate custom ESG ceiling struts of other sizes  
(for instance L=1200)

## DSG double ended ceiling strut

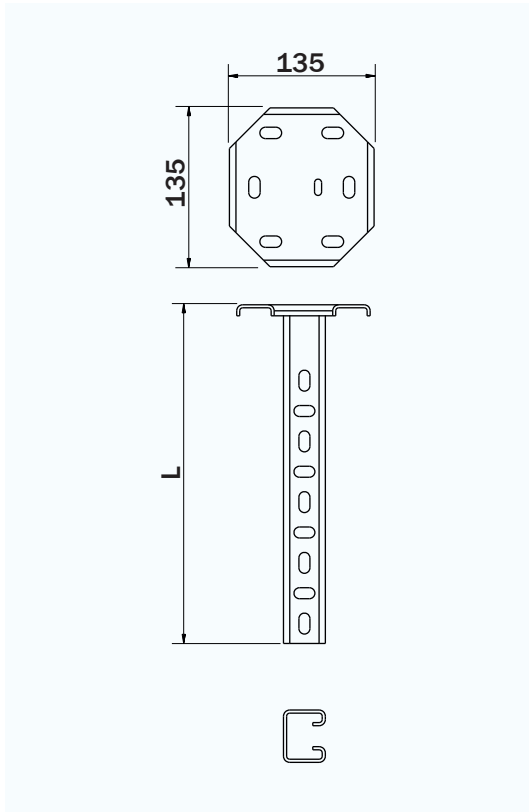


### Article numbers and designations:

Bracket length L: (mm)	Galvanised sheet	Hot-dip galvanised	Stainless steel sheet	RAL options
<b>300</b>	305030 DSG 300	305031 DSG 300 TC	305032 DSG 300 RF	305034 DSG 300 RAL
<b>500</b>	305050 DSG500	305051 DSG 500 TC	305052 DSG 500 RF	305054 DSG 500 RAL
<b>800</b>	305080 DSG 800	305081 DSG 800 TC	305082 DSG 800 RF	305084 DSG 800 RAL

Opomba: Po dogovoru izdelamo tudi stropne nosilce DSG drugih dimenzij (npr. L=1200).

## PNSZ ceiling strut

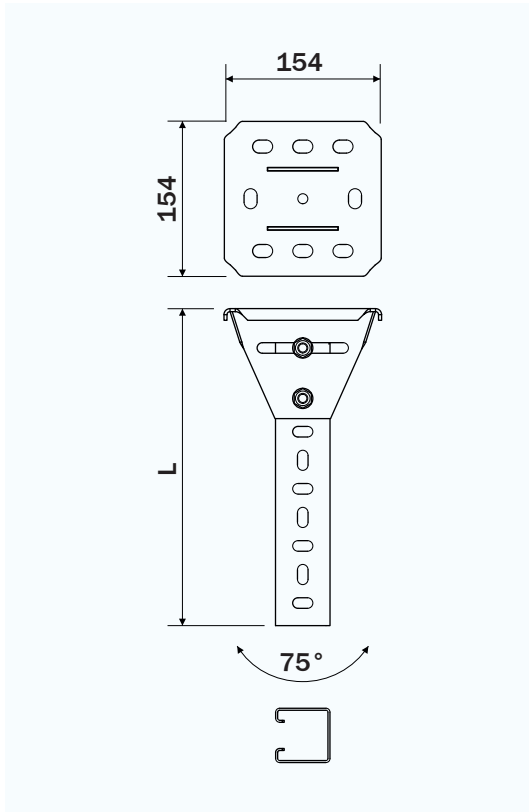


### Article numbers and designations:

Bracket length L: (mm)	Galvanised sheet	Hot-dip galvanised	Stainless steel sheet	RAL options
300	306030 PNSZ 300	306031 PNSZ 300 TC	306032 PNSZ 300 RF	306034 PNSZ 300 RAL
400	306040 PNSZ 400	306041 PNSZ 400 TC	306042 PNSZ 400 RF	306044 PNSZ 400 RAL
500	306050 PNSZ 500	306051 PNSZ 500 TC	306052 PNSZ 500 RF	306054 PNSZ 500 RAL
600	306060 PNSZ 600	306061 PNSZ 600 TC	306062 PNSZ 600 RF	306064 PNSZ 600 RAL
700	306070 PNSZ 700	306071 PNSZ 700 TC	306072 PNSZ 700 RF	306074 PNSZ 700 RAL
800	306080 PNSZ 800	306081 PNSZ 800 TC	306082 PNSZ 800 RF	306084 PNSZ 800 RAL
1000	306100 PNSZ 1000	306101 PNSZ 1000 TC	306102 PNSZ 1000 RF	306104 PNSZ 1000 RAL

Note: We also fabricate custom PNSZ ceiling brackets of other sizes  
(for instance L=1200)

## PNSV ceiling strut



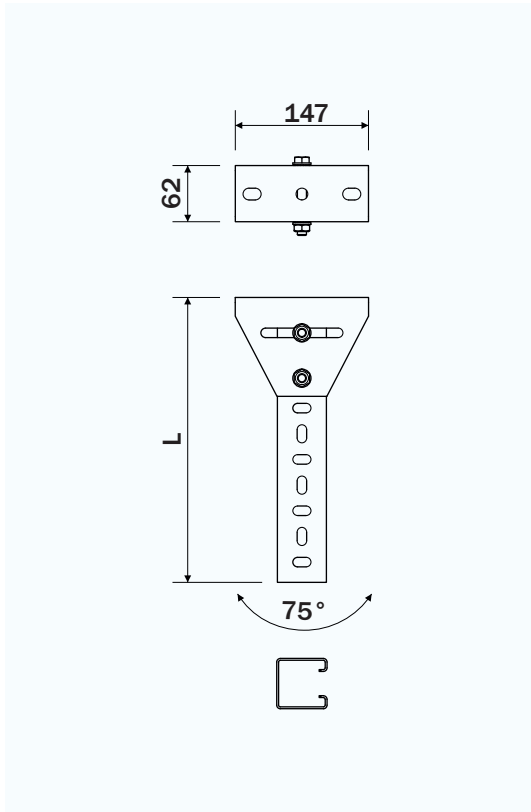
### Article numbers and designations:

Bracket length L: (mm)	Galvanised sheet	Hot-dip galvanised	Stainless steel sheet	RAL options
<b>300</b>	307030 PNSV 300	307031 PNSV 300 TC	307032 PNSV300 RF	307034 PNSV 300 RAL
<b>400</b>	307040 PNSV 400	307041 PNSV 400 TC	307042 PNSV400 RF	307044 PNSV 400 RAL
<b>500</b>	307050 PNSV 500	307051 PNSV 500 TC	307052 PNSV500 RF	307054 PNSV 500 RAL
<b>600</b>	307060 PNSV 600	307061 PNSV 600 TC	307062 PNSV600 RF	307064 PNSV 600 RAL
<b>700</b>	307070 PNSV 700	307071 PNSV 700 TC	307072 PNSV700 RF	307074 PNSV 700 RAL
<b>800</b>	307080 PNSV 800	307081 PNSV 800 TC	307082 PNSV800 RF	307084 PNSV 800 RAL
<b>1000</b>	307100 PNSV 1000	307101 PNSV 1000 TC	307102 PNSV1000 RF	307104 PNSV 1000 RAL

(strut + base + spacer + 2 x M10x80 DIN 931 bolt + 2 x M10 DIN 980 nut + 4 x 10 DIN 125 washer + 2 x toothed washer)

Note: We also fabricate custom ordered PNSV ceiling brackets of other sizes (for instance L=1200)

## PNSK ceiling strut



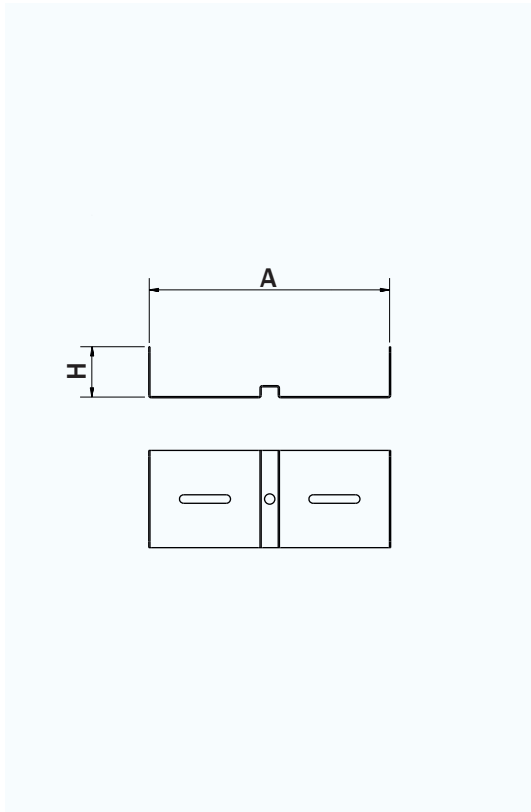
### Article numbers and designations:

Bracket length L: (mm)	Galvanised sheet	Hot-dip galvanised	Stainless steel sheet	RAL options
<b>300</b>	308030 PNSK 300	308031 PNSK 300 TC	308032 PNSK 300 RF	308034 PNSK 300 RAL
<b>400</b>	308040 PNSK 400	308041 PNSK 400 TC	308042 PNSK 400 RF	308044 PNSK 400 RAL
<b>500</b>	308050 PNSK 500	308051 PNSK 500 TC	308052 PNSK 500 RF	308054 PNSK 500 RAL
<b>600</b>	308060 PNSK 600	308061 PNSK 600 TC	308062 PNSK 600 RF	308064 PNSK 600 RAL
<b>700</b>	308070 PNSK 700	308071 PNSK 700 TC	308072 PNSK 700 RF	308074 PNSK 700 RAL
<b>800</b>	308080 PNSK 800	308081 PNSK 800 TC	308082 PNSK 800 RF	308084 PNSK 800 RAL
<b>1000</b>	308100 PNSK 1000	308101 PNSK 1000 TC	308102 PNSK 1000 RF	308104 PNSK 1000 RAL

(strut + base + spacer + 2 x M10x80 DIN 931 bolt + 2 x M10 DIN 980 nut + 4 x 10 DIN 125 washer + 2 x toothed washer)

Note: We also fabricate custom ordered PNSK ceiling brackets of other sizes (for instance L=1200)

## Ceiling hanger NON

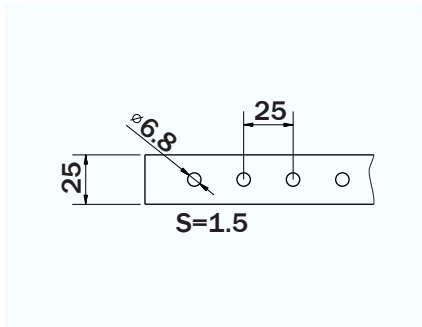


### Article numbers and designations:

Tray width and height: A/H (mm)	Galvanised sheet	Hot-dip galvanised	Stainless steel sheet	RAL options
<b>50/30</b>	330050 NON 50/30	330051 NON 50/30 TC	330052 NON 50/30 RF	330054 NON 50/30 RAL
<b>100/50</b>	350100 NON 100/50	350101 NON 100/50 TC	350102 NON 100/50 RF	350104 NON 100/50 RAL
<b>100/60</b>	360100 NON 100/60	360101 NON 100/60 TC	360102 NON 100/60 RF	360104 NON 100/60 RAL
<b>200/50</b>	350200 NON 200/50	350201 NON 200/50 TC	350202 NON 200/50 RF	350204 NON 200/50 RAL
<b>200/60</b>	360200 NON 200/60	360201 NON 200/60 TC	360202 NON 200/60 RF	360204 NON 200/60 RAL
<b>300/50</b>	350300 NON 300/50	350301 NON 300/50 TC	350302 NON 300/50 RF	350304 NON 300/50 RAL
<b>300/60</b>	360300 NON 300/60	360301 NON 300/60 TC	360302 NON 300/60 RF	360304 NON 300/60 RAL



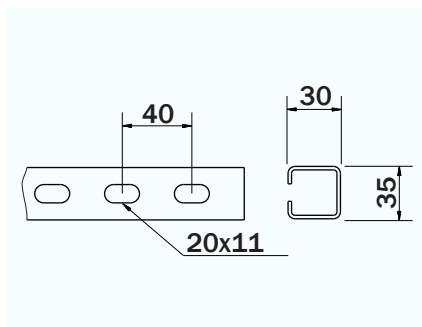
## PT perforated strap



Article numbers and designations:

Perforated strap	Galvanised sheet	Hot-dip galvanised	Stainless steel sheet	RAL options
PT L=2000	400030 PT	400031 PT TC	400032 PT RF	400034 PT RAL

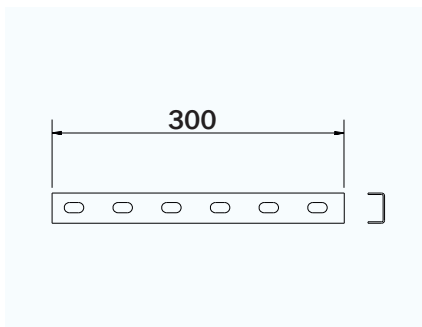
## PCP perforated C-channel



Article numbers and designations:

C-channel coupler:	Galvanised sheet	Hot-dip galvanised	Stainless steel sheet	RAL options
PCP L=2500	404030 PCP	404031 PCP TC	404032 PCP RF	404034 PCP RAL

## SUCP perforated C-channel coupler



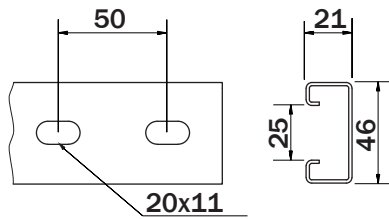
Article numbers and designations:

C-channel coupler:	Galvanised sheet	Hot-dip galvanised	Stainless steel sheet	RAL options
SUCP L=300	404130 SUCP	404131 SUCP TC	404132 SUCR RF	404134 SUCP RAL





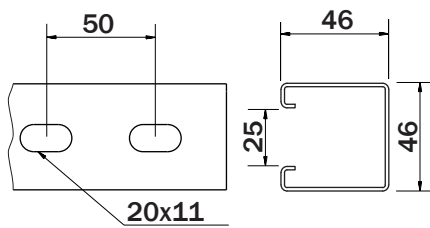
## LDE perforated "caddy" strut



Article numbers and designations:

CADDY profile	Galvanised sheet	Hot-dip galvanised	Stainless steel sheet	RAL options
LDE L=2500	404020 LDE	404021 LDE TC	404022 LDE RF	404024 LDE RAL

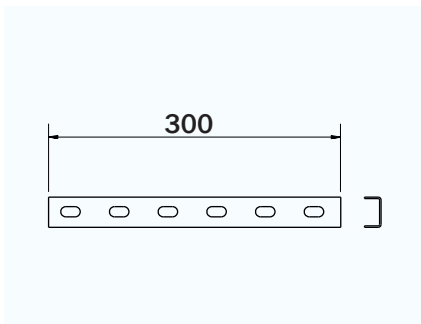
## LDE perforated "caddy" strut



Article numbers and designations:

CADDY profile	Galvanised sheet	Hot-dip galvanised	Stainless steel sheet	RAL options
LDE L=2500	404040 LDE	404041 LDE TC	404042 LDE RF	404044 LDE RAL

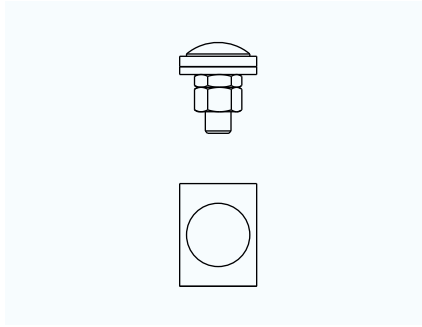
## LAE "caddy" strut profile coupler



Article numbers and designations:

C-channel coupler:	Galvanised sheet	Hot-dip galvanised	Stainless steel sheet	RAL options
LAE L=300	404120 LAE	404121 LAE TC	404122 LAE RF	404124 LAE RAL

## Fixings for the PNSZ struts – PNSZ-1

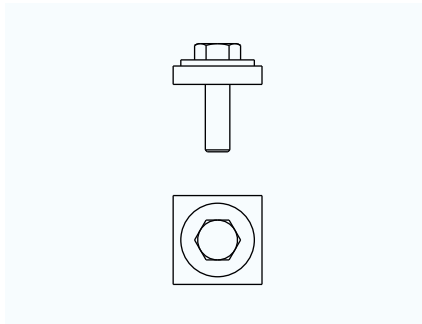


Article numbers and designations:

Fixings for struts	Galvanised sheet	Stainless steel sheet
PNSZ-1	506000 PNSZ-1	506002 PNSZ-1 RF

(M10x30 DIN 603 bolt + 2 plates + 2 nuts)

## Fixings for the ESG and DS struts – PPN-1

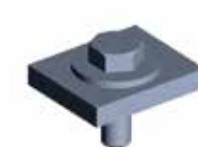
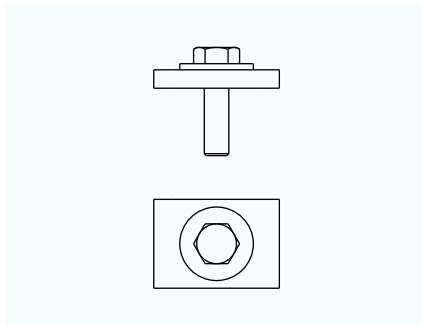


Article numbers and designations:

Fixings for struts	Galvanised sheet	Stainless steel sheet
PPN-1	505000 PPN-1	505002 PPN-1 RF

(M8x25 DIN 933 bolt + threaded plate + no 8 DIN 9021 washer)

## Fixings for the "caddy" profiles – PPLDE



Article numbers and designations:

Fixings for struts	Galvanised sheet	Stainless steel sheet
PPLDE	504000 PPLDE	504002 PPLDE RF

(M8x25 DIN 933 bolt + threaded plate + no 8 DIN 9021 washer)



BEVEC



*THE FUTURE OF EFFICIENT TECHNOLOGIES*

Bevec d.o.o.  
Podbevškova ulica 36  
IC Cikava  
8000 Novo mesto  
Tel.: +386 7 337 6560  
info@bevec.si  
www.bevec.si