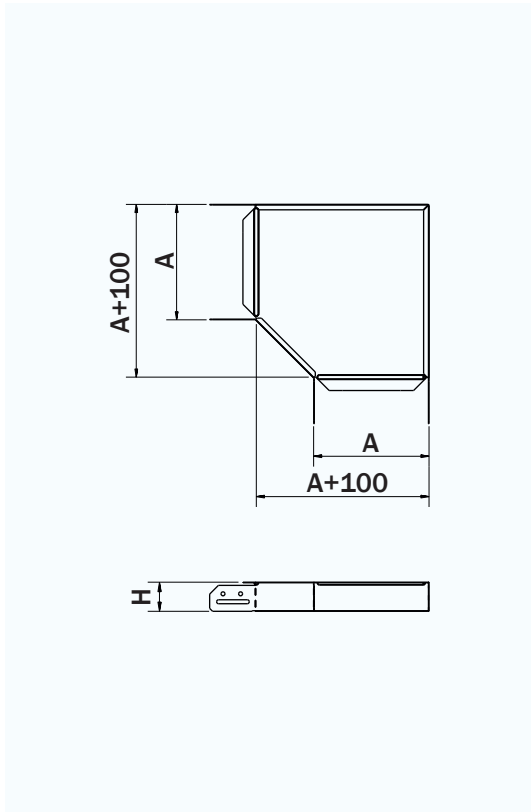


COUPLER FITTINGS

A wide selection of various bends, couplers and other accessories facilitates the simple installation of cable trays in floor plans of any complexity. All the fittings are made of galvanised sheet; on request, we can also fabricate them out of hot-dip galvanised or stainless steel sheet or with a powder coat finish.



RK 90° flat bend

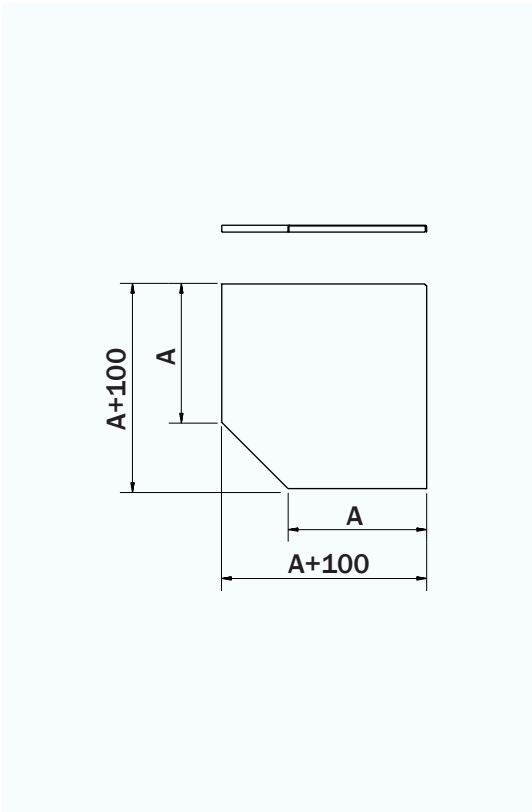


Article numbers and designations:

Tray width A: (mm)	Galvanised sheet	Hot-dip galvanised	Stainless steel sheet	RAL options
50	230050 RK 50/50	230051 RK 50/50 TC	230052 RK 50/50 RF	230054 RK 50/50 RAL
100	250100 RK 100/50	250101 RK 100/50 TC	250102 RK 100/50 RF	250104 RK 100/50 RAL
200	250200 RK 200/50	250201 RK 200/50 TC	250202 RK 200/50 RF	250204 RK 200/50 RAL
300	250300 RK 300/50	250301 RK 300/50 TC	250302 RK 300/50 RF	250304 RK 300/50 RAL
400	250400 RK 400/50	250401 RK 400/50 TC	250402 RK 400/50 RF	250404 RK 400/50 RAL
500	250500 RK 500/50	250501 RK 500/50 TC	250502 RK 500/50 RF	250504 RK 500/50 RAL
600	250600 RK 600/50	250601 RK 600/50 TC	250602 RK 600/50 RF	250604 RK 600/50 RAL



PRK 90° flat bend cover

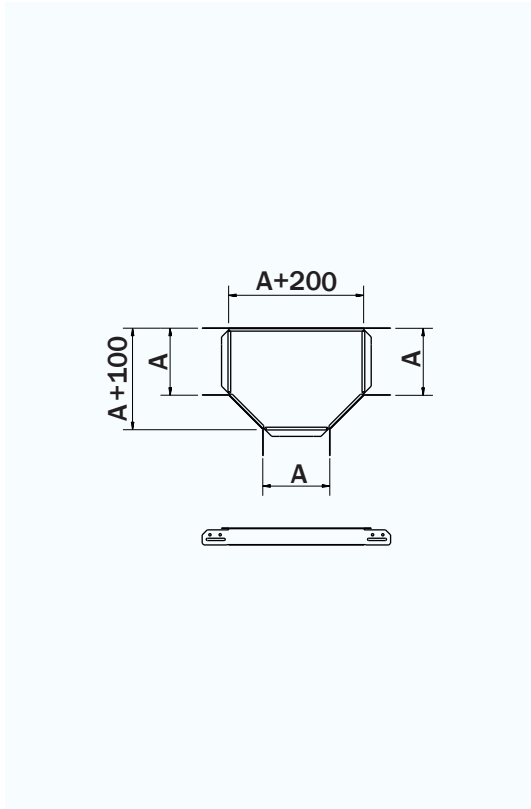


Article numbers and designations:

Tray width A: (mm)	Galvanised sheet	Hot-dip galvanised	Stainless steel sheet	RAL options
50	130050 PRK 50	130051 PRK 50 TC	130052 PRK 50 RF	130054 PRK 50 RAL
100	150100 PRK 100	150101 PRK 100 TC	150102 PRK 100 RF	150104 PRK 100 RAL
200	150200 PRK 200	150201 PRK 200 TC	150202 PRK 200 RF	150204 PRK 200 RAL
300	150300 PRK 300	150301 PRK 300 TC	150302 PRK 300 RF	150304 PRK 300 RAL
400	150400 PRK 400	150401 PRK 400 TC	150402 PRK 400 RF	150404 PRK 400 RAL
500	150500 PRK 500	150501 PRK 500 TC	150502 PRK 500 RF	150504 PRK 500 RAL
600	150600 PRK 600	150601 PRK 600 TC	150602 PRK 600 RF	150604 PRK 600 RAL



TK tee

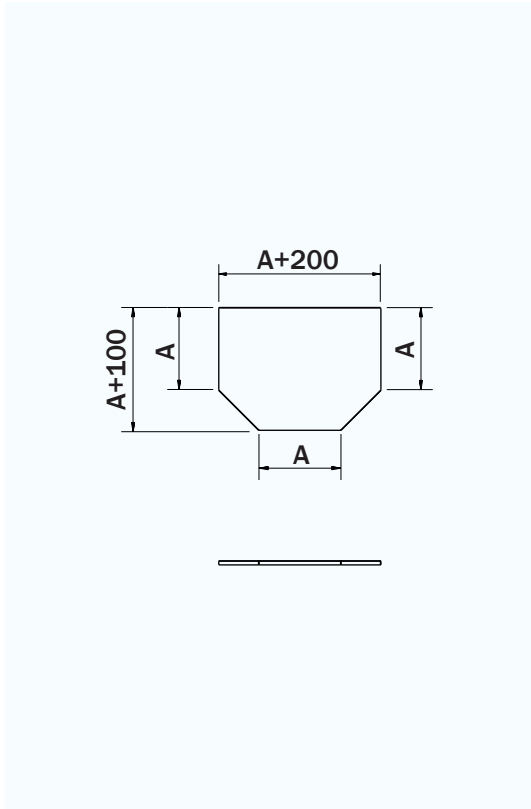


Article numbers and designations:

Tray width A: (mm)	Galvanised sheet	Hot-dip galvanised	Stainless steel sheet	RAL options
50	231050 TK 50/50	231051 TK 50/50 TC	231052 TK 50/50 RF	231054 TK 50/50 RAL
100	251100 TK 100/50	251101 TK 100/50 TC	251102 TK 100/50 RF	251104 TK 100/50 RAL
200	251200 TK 200/50	251201 TK 200/50 TC	251202 TK 200/50 RF	251204 TK 200/50 RAL
300	251300 TK 300/50	251301 TK 300/50 TC	251302 TK 300/50 RF	251304 TK 300/50 RAL
400	251400 TK 400/50	251401 TK 400/50 TC	251402 TK 400/50 RF	251404 TK 400/50 RAL
500	251500 TK 500/50	251501 TK 500/50 TC	251502 TK 500/50 RF	251504 TK 500/50 RAL
600	251600 TK 600/50	251601 TK 600/50 TC	251602 TK 600/50 RF	251604 TK 600/50 RAL



PTK tee cover

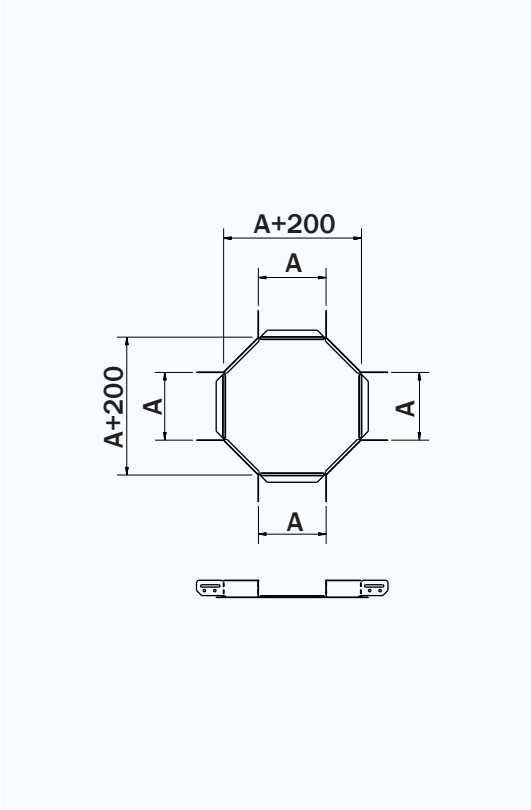


Article numbers and designations:

Tray width A: (mm)	Galvanised sheet	Hot-dip galvanised	Stainless steel sheet	RAL options
50	131050 PTK 50	131051 PTK 50 TC	131052 PTK 50 RF	131504 PTK 50 RAL
100	151100 PTK 100	151101 PTK 100 TC	151102 PTK 100 RF	151104 PTK 100 RAL
200	151200 PTK 200	151201 PTK 200 TC	151202 PTK 200 RF	151204 PTK 200 RAL
300	151300 PTK 300	1513001 PTK 300 TC	151302 PTK 300 RF	151304 PTK 300 RAL
400	151400 PTK 400	151401 PTK 400 TC	151402 PTK 400 RF	151402 PTK 400 RAL
500	151500 PTK 500	151501 PTK 500 TC	151502 PTK 500 RF	151504 PTK 500 RAL
600	151600 PTK 600	151601 PTK 600 TC	151602 PTK 600 RF	151604 PTK 600 RAL



KK crossover

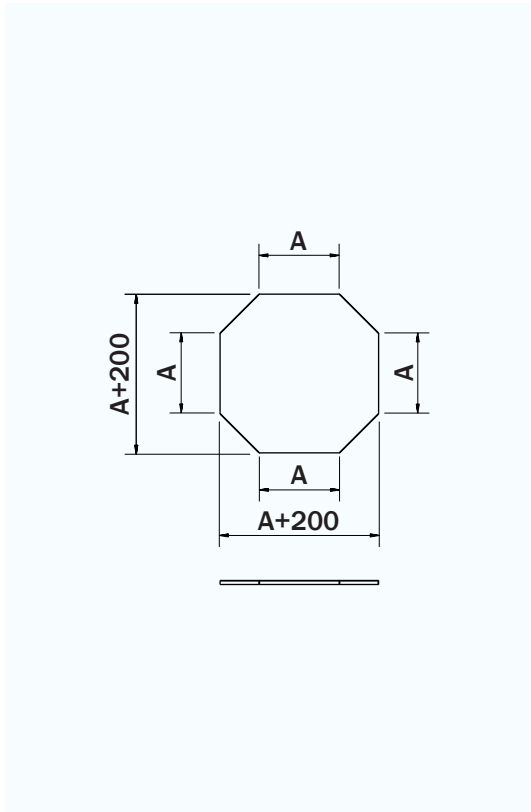


Article numbers and designations:

Tray width A: (mm)	Galvanised sheet	Hot-dip galvanised	Stainless steel sheet	RAL options
50	232050 KK 50/50	232051 KK 50/50 TC	232052 KK 50/50 RF	232054 KK 50/50 RAL
100	252100 KK 100/50	252101 KK 100/50 TC	252102 KK 100/50 RF	252104 KK 100/50 RAL
200	252200 KK 200/50	252201 KK 200/50 TC	252202 KK 200/50 RF	252204 KK 200/50 RAL
300	252300 KK 300/50	252301 KK 300/50 TC	252302 KK 300/50 RF	252304 KK 300/50 RAL
400	252400 KK 400/50	252401 KK 400/50 TC	252402 KK 400/50 RF	252404 KK 400/50 RAL
500	252500 KK 500/50	252501 KK 500/50 TC	252502 KK 500/50 RF	252504 KK 500/50 RAL
600	252600 KK 600/50	252601 KK 600/50 TC	2526002 KK 600/50 RF	252604 KK 600/50 RAL



PKK crossover cover

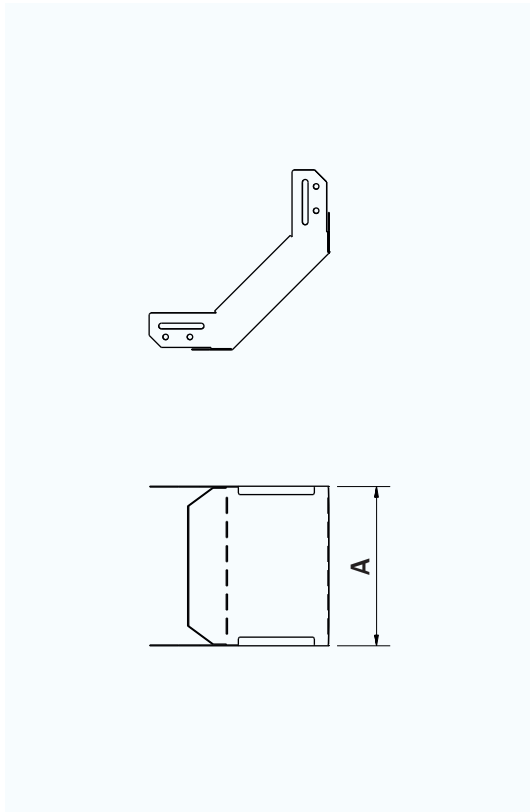


Article numbers and designations:

Tray width A: (mm)	Galvanised sheet	Hot-dip galvanised	Stainless steel sheet	RAL options
50	132050 PKK 50	132051 PKK 50 TC	132052 PKK 50 RF	132054 PKK 50 RAL
100	152100 PKK 100	152101 PKK 100 TC	152102 PKK 100 RF	152104 PKK 100 RAL
200	152200 PKK 200	152201 PKK 200 TC	152202 PKK 200 RF	152204 PKK 200 RAL
300	152300 PKK 300	152301 PKK 300 TC	152302 PKK 300 RF	152304 PKK 300 RAL
400	152400 PKK 400	152401 PKK 400 TC	152402 PKK 400 RF	152404 PKK 400 RAL
500	152500 PKK 500	152501 PKK 500 TC	152502 PKK 500 RF	152504 PKK 500 RAL
600	152600 PKK 600	152601 PKK 600 TC	152602 PKK 600 RF	152604 PKK 600 RAL



VKN inside riser

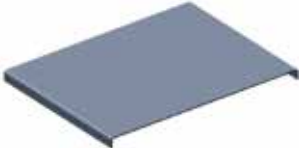
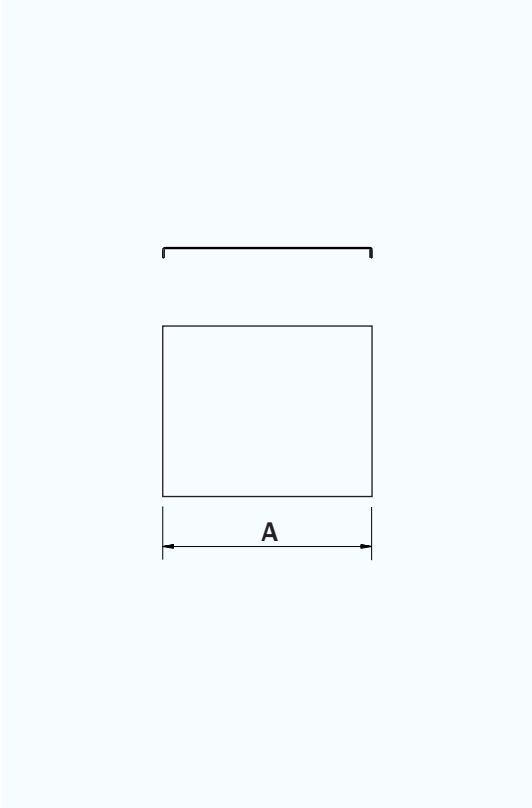


Article numbers and designations:

Tray width A: (mm)	Galvanised sheet	Hot-dip galvanised	Stainless steel sheet	RAL options
50	233050 VKN 50/50	233051 VKN 50/50 TC	233052 VKN 50/50 RF	233054 VKN 50/50 RAL
100	253100 VKN 100/50	253101 VKN 100/50 TC	253102 VKN 100/50 RF	253104 VKN 100/50 RAL
200	253200 VKN 200/50	253201 VKN 200/50 TC	253202 VKN 200/50 RF	253204 VKN 200/50 RAL
300	253300 VKN 300/50	253301 VKN 300/50 TC	253302 VKN 300/50 RF	253304 VKN 300/50 RAL
400	253400 VKN 400/50	253401 VKN 400/50 TC	253402 VKN 400/50 RF	253404 VKN 400/50 RAL
500	253500 VKN 500/50	253501 VKN 500/50 TC	253502 VKN 500/50 RF	253504 VKN 500/50 RAL
600	253600 VKN 600/50	253601 VKN 600/50 TC	253602 VKN 600/50 RF	253604 VKN 600/50 RAL



PVKN inside riser cover

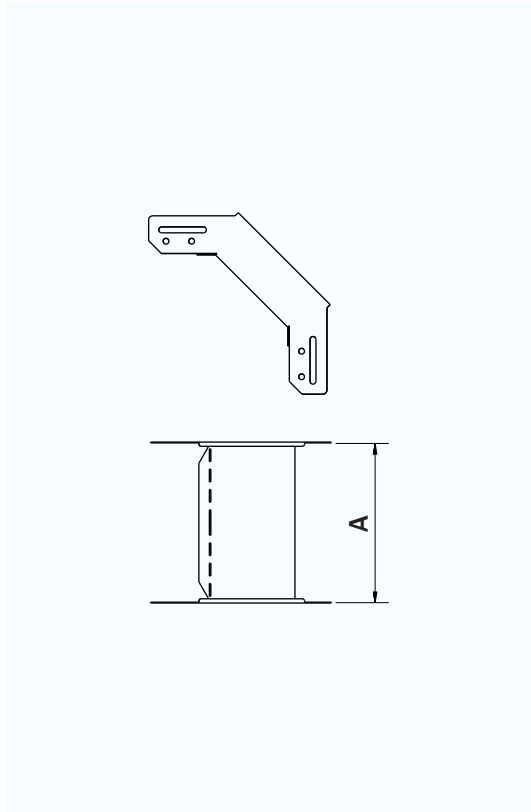


Article numbers and designations:

Tray width A: (mm)	Galvanised sheet	Hot-dip galvanised	Stainless steel sheet	RAL options
50	133050 PVKN 50	133051 PVKN 50 TC	133052 PVKN 50 RF	133054 PVKN 50 RAL
100	153100 PVKN 100	153101 PVKN 100 TC	153102 PVKN 100 RF	153104 PVKN 100 RAL
200	153200 PVKN 200	153201 PVKN 200 TC	153202 PVKN 200 RF	153204 PVKN 200 RAL
300	153300 PVKN 300	153301 PVKN 300 TC	153302 PVKN 300 RF	153304 PVKN 300 RAL
400	153400 PVKN 400	153401 PVKN 400 TC	153402 PVKN 400 RF	153404 PVKN 400 RAL
500	153500 PVKN 500	153501 PVKN 500 TC	153502 PVKN 500 RF	153504 PVKN 500 RAL
600	153600 PVKN 600	153601 PVKN 600 TC	153602 PVKN 600 RF	153604 PVKN 600 RAL



VKZ outside riser

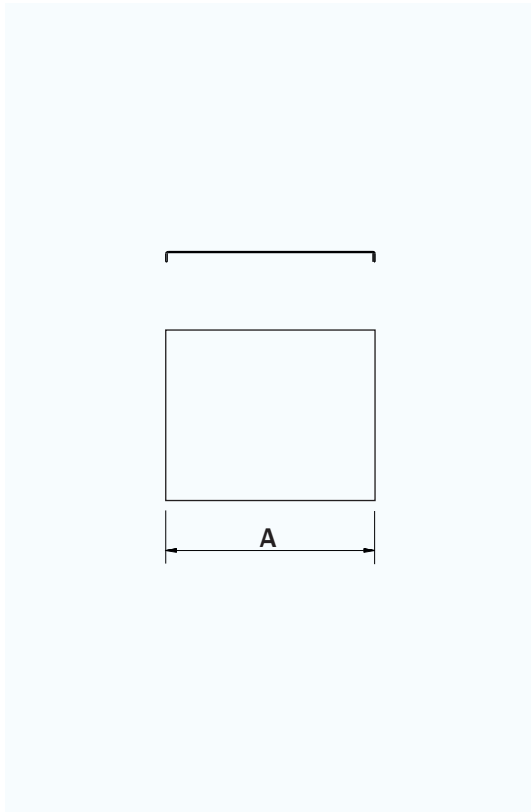


Article numbers and designations:

Tray width A: (mm)	Galvanised sheet	Hot-dip galvanised	Stainless steel sheet	RAL options
50	234050 VKZ 50/50	234051 VKZ 50/50 TC	234052 VKZ 50/50 RF	234054 VKZ 50/50 RAL
100	254100 VKZ 100/50	254101 VKZ 100/50 TC	254102 VKZ 100/50 RF	254104 VKZ 100/50 RAL
200	254200 VKZ 200/50	254201 VKZ 200/50 TC	254202 VKZ 200/50 RF	254204 VKZ 200/50 RAL
300	254300 VKZ 300/50	254301 VKZ 300/50 TC	254302 VKZ 300/50 RF	254304 VKZ 300/50 RAL
400	254400 VKZ 400/50	254401 VKZ 400/50 TC	254402 VKZ 400/50 RF	254404 VKZ 400/50 RAL
500	254500 VKZ 500/50	254501 VKZ 500/50 TC	254502 VKZ 500/50 RF	254504 VKZ 500/50 RAL
600	254600 VKZ 600/50	254601 VKZ 600/50 TC	254602 VKZ 600/50 RF	254604 VKZ 600/50 RAL



PVKZ outside riser cover

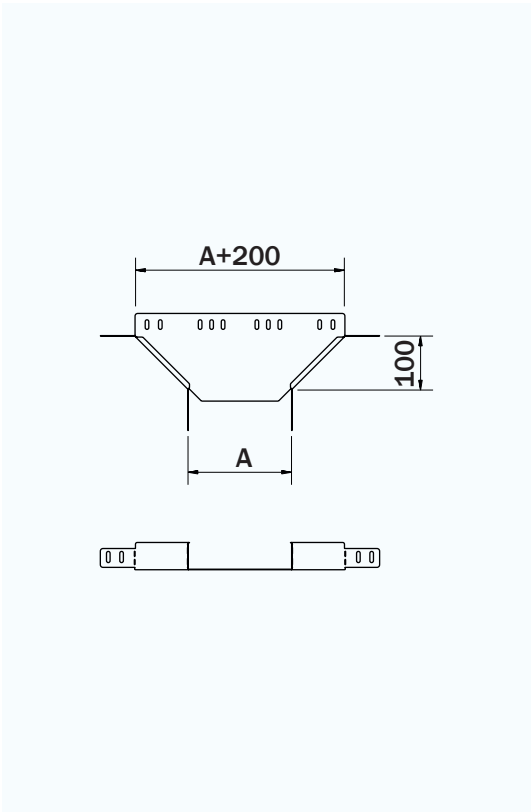


Article numbers and designations:

Tray width A: (mm)	Galvanised sheet	Hot-dip galvanised	Stainless steel sheet	RAL options
50	134050 PVKZ 50	134051 PVKZ 50 TC	134052 PVKZ 50 RF	134054 PVKZ 50 RAL
100	154100 PVKZ 100	154101 PVKZ 100 TC	154102 PVKZ 100 RF	154104 PVKZ 100 RAL
200	154200 PVKZ 200	154201 PVKZ 200 TC	154202 PVKZ 200 RF	154204 PVKZ 200 RAL
300	154300 PVKZ 300	154301 PVKZ 300 TC	154302 PVKZ 300 RF	154304 PVKZ 300 RAL
400	154400 PVKZ 400	154401 PVKZ 400 TC	154402 PVKZ 400 RF	154404 PVKZ 400 RAL
500	154500 PVKZ 500	154501 PVKZ 500 TC	154502 PVKZ 500 RF	154504 PVKZ 500 RAL
600	154600 PVKZ 600	154601 PVKZ 600 TC	154602 PVKZ 600 RF	154604 PVKZ 600 RAL



OK side branch tee

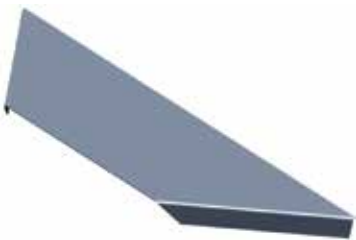
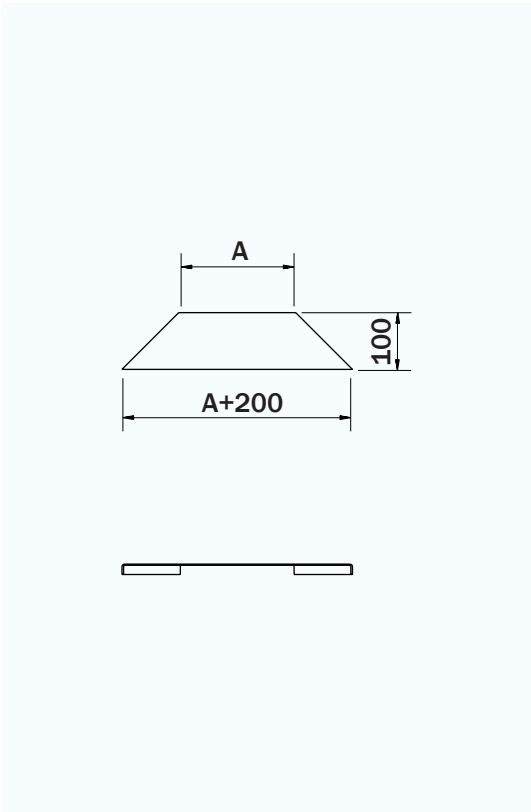


Article numbers and designations:

Tray width A: (mm)	Galvanised sheet	Hot-dip galvanised	Stainless steel sheet	RAL options
50	235050 OK 50/50	235051 OK 50/50 TC	235052 OK 50/50 RF	235504 OK 50/50 RAL
100	255100 OK 100/50	255101 OK 100/50 TC	255102 OK 100/50 RF	255104 OK 100/50 RAL
200	255200 OK 200/50	255201 OK 200/50 TC	255202 OK 200/50 RF	255204 OK 200/50 RAL
300	255300 OK 300/50	255301 OK 300/50 TC	255302 OK 300/50 RF	255304 OK 300/50 RAL
400	255400 OK 400/50	255401 OK 400/50 TC	255402 OK 400/50 RF	255404 OK 400/50 RAL
500	255500 OK 500/50	255501 OK 500/50 TC	255502 OK 500/50 RF	255504 OK 500/50 RAL
600	255600 OK 600/50	255601 OK 600/50 TC	255602 OK 600/50 RF	255604 OK 600/50 RAL



POK side branch tee cover

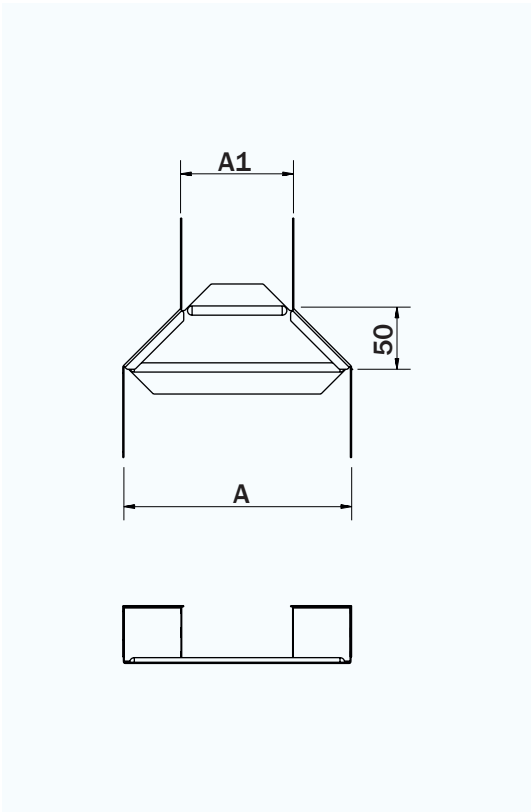


Article numbers and designations:

Tray width A: (mm)	Galvanised sheet	Hot-dip galvanised	Stainless steel sheet	RAL options
50	135050 POK 50	135051 POK 50 TC	135052 POK 50 RF	135054 POK 50 RAL
100	155100 POK 100	155101 POK 100 TC	155102 POK 100 RF	155104 POK 100 RAL
200	155200 POK 200	155201 POK 200 TC	155202 POK 200 RF	155204 POK 200 RAL
300	155300 POK 300	155301 POK 300 TC	155302 POK 300 RF	155304 POK 300 RAL
400	155400 POK 400	155401 POK 400 TC	155402 POK 400 RF	155404 POK 400 RAL
500	155500 POK 500	155501 POK 500 TC	155502 POK 500 RF	155504 POK 500 RAL
600	155600 POK 600	155601 POK 600 TC	155602 POK 600 RF	155604 POK 600 RAL



RE reducer



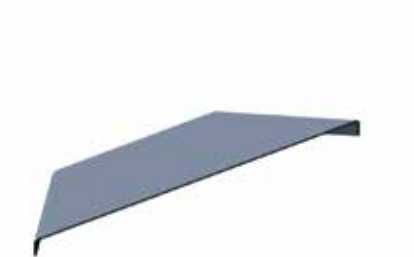
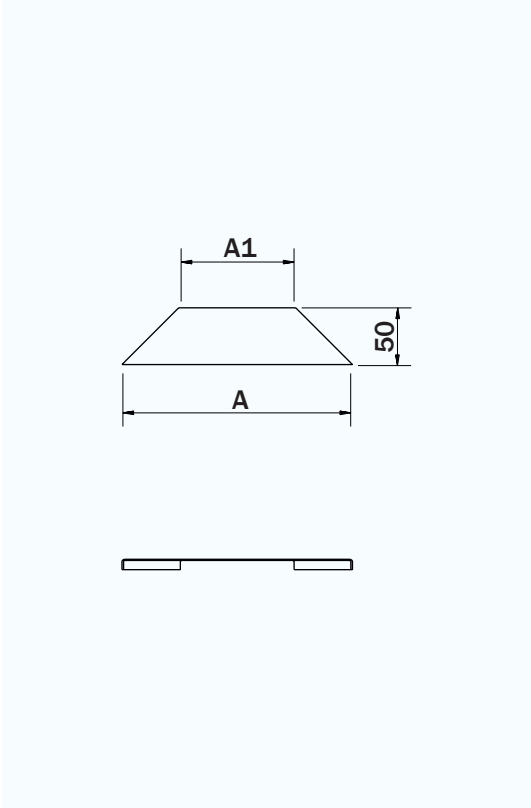
Article numbers and designations:

Tray width A and A1 (mm)	Galvanised sheet	Hot-dip galvanised	Stainless steel sheet	RAL options
200>100	256100 RE 200/100/50	256101 RE 200/100/50 TC	256102 RE 200/100/50 RF	256104 RE 200/100/50 RAL
300>200	256200 RE 300/200/50	256201 RE 300/200/50 TC	256202 RE 300/200/50 RF	256204 RE 300/200/50 RAL
400>300	256300 RE 400/300/50	256301 RE 400/300/50 TC	256302 RE 400/300/50 RF	256304 RE 400/300/50 RAL

Note: We also fabricate custom reducers of other sizes (for instance 400/200/50)
 Made to order reducer: RE 256XXX.



PRE reducer cover



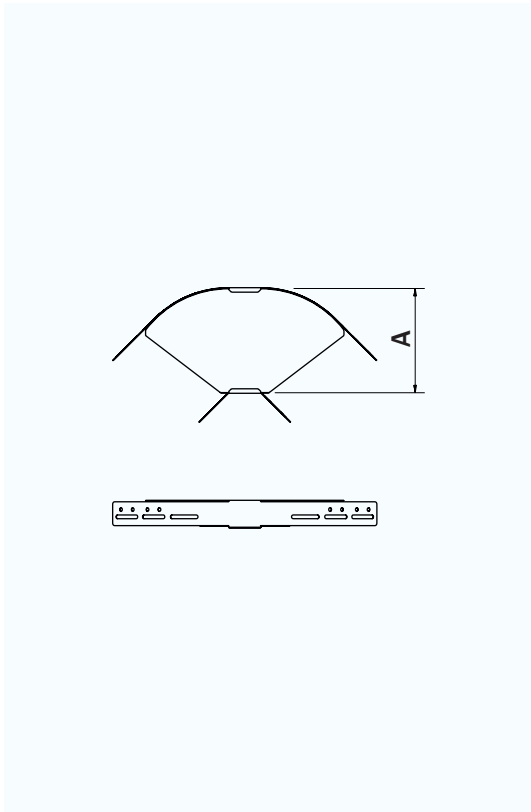
Article numbers and designations:

Tray width A and A1 (mm)	Galvanised sheet	Hot-dip galvanised	Stainless steel sheet	RAL options
200>100	156100 PRE 200/100	156101 PRE 200/100 TC	156102 PRE 200/100 RF	156104 PRE 200/100 RAL
300>200	156200 PRE 300/200	156201 PRE 300/200 TC	156202 PRE 300/200 RF	156204 PRE 300/200 RAL
400>300	156300 PRE 400/300	156301 PRE 400/300 TC	156302 PRE 400/300 RF	156304 PRE 400/300 RAL

Note: We also fabricate custom reducer covers of other sizes (for instance 400/200/50) Made to order reducer cover: PRE 156XXX.



HNK adjustable flat bend



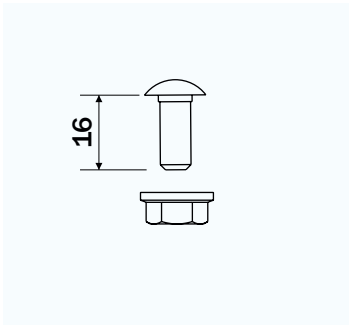
Article numbers and designations:

Tray width A: (mm)

50	237050 HNK 50/50	237051 HNK 50/50 TC	237052 HNK 50/50 RF	237054 HNK 50/50 RAL
100	257100 HNK 100/50	257101 HNK 100/50 TC	257102 HNK 100/50 RF	257104 HNK 100/50 RAL
200	257200 HNK 200/50	257201 HNK 200/50 TC	257202 HNK 200/50 RF	257204 HNK 200/50 RAL
300	257300 HNK 300/50	257301 HNK 300/50 TC	257302 HNK 300/50 RF	257304 HNK 300/50 RAL
400	257400 HNK 400/50	257401 HNK 400/50 TC	257402 HNK 400/50 RF	257404 HNK 400/50 RAL
500	257500 HNK 500/50	257501 HNK 500/50 TC	257502 HNK 500/50 RF	257504 HNK 500/50 RAL
600	257600 HNK 600/50	257601 HNK 600/50 TC	257602 HNK 600/50 RF	257604 HNK 600/50 RAL



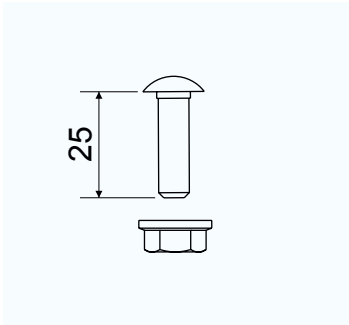
VE-03 bolt



Article numbers and designations:

Bolt:	Galvanised	Stainless steel
VE-03	500160 VE-03	500162 VE-03 RF

VE-03 P lengthened bolt

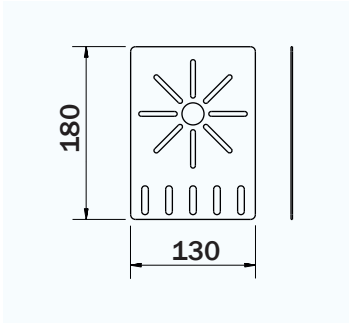


Article numbers and designations:

Lengthened bolt:	Galvanised	Stainless steel
VE-03 P	500250 VE-03 P	500252 VE-03 P RF



ND junction box holder



Article numbers and designations:

Junction box holder	Galvanised sheet	Hot-dip galvanised	Stainless steel sheet	RAL options
ND	307050 ND	307051 ND TC	307052 ND RF	307054 ND RAL

SUD bottom coupler



Article numbers and designations:

Tray width A: (mm)	Galvanised sheet	Hot-dip galvanised	Stainless steel sheet	RAL options
200	101200 SUD 200	101201 SUD 200 TC	101202 SUD 200 RF	101204 SUD 200 RAL
300	101300 SUD 300	101301 SUD 300 TC	101302 SUD 300 RF	101304 SUD 300 RAL
400	101400 SUD 400	101401 SUD 400 TC	101402 SUD 400 RF	101404 SUD 400 RAL
500	101500 SUD 500	101501 SUD 500 TC	101502 SUD 500 RF	101504 SUD 500 RAL
600	101600 SUD 600	101601 SUD 600 TC	101602 SUD 600 RF	101604 SUD 600 RAL