



CABLE TRAYS

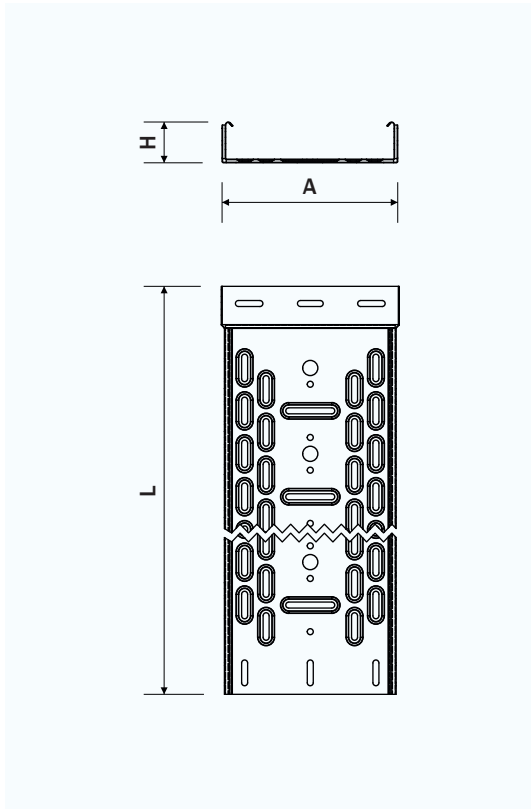
Cable trays are used for distribution in industrial objects, road infrastructure, air and rail transport, as well as electrical transmission and telecommunications; all of these require adaptable and safe wiring installations. We manufacture trays 50 to 600 mm in width and 50 to 60 mm in height. With a wide variety of surface treatments, we fulfil all environmental standards. The trays can be fabricated out of galvanised sheet, hot-dip galvanised sheet and stainless steel sheet, or they can be powder-coated.



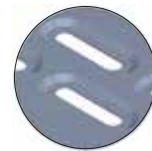
Cable trays BRO 50

L 2500
(mm)

H 50 (H 60)
(mm)



Safety flange



Flared perforations



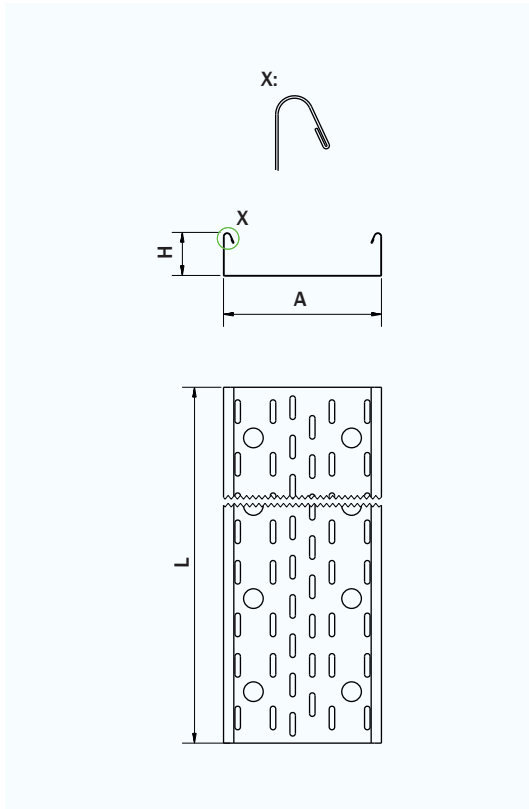
Flared end for simple joining

Article numbers and designations:

Tray width A: (mm)	Galvanised sheet	Hot-dip galvanised	Stainless steel sheet	RAL options
100	050100 BRO 100/50	050101 BRO100/50 TC	050102 BRO 100/50 RF	050104 BRO 100/50 RAL
200	050200 BRO 200/50	050201 BRO 200/50 TC	050202 BRO 200/50 RF	050204 BRO 200/50 RAL
300	050300 BRO 300/50	050301 BRO 300/50 TC	050302 BRO 300/50 RF	050304 BRO 300/50 RAL
400	050400 BRO 400/50	050401 BRO 400/50 TC	050402 BRO 400/50 RF	050404 BRO 400/50 RAL
500	050500 BRO 500/50	050501 BRO 500/50 TC	050502 BRO 500/50 RF	050504 BRO 500/50 RAL
600	050600 BRO 600/50	050601 BRO 600/50 TC	050602 BRO 600/50 RF	050604 BRO 600/50 RAL



Cable trays PE 50



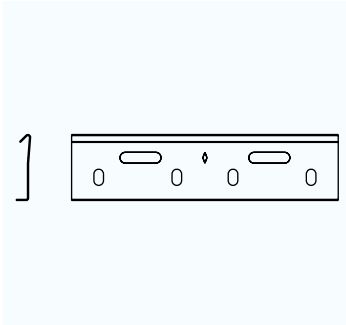
Safety flange

Article numbers and designations:

Tray width A: (mm)	Galvanised sheet	Hot-dip galvanised	Stainless steel sheet	RAL options
50	031050 PE 50/50	031051 PE 50/50 TC	031052 PE 50/50 RF	031054 PE 50/50 RAL
100	051100 PE 100/50	051101 PE 100/50 TC	051102 PE 100/50 RF	051104 PE 100/50 RAL
200	051200 PE 200/50	051201 PE 200/50 TC	051202 PE 200/50 RF	051204 PE 200/50 RAL
300	051300 PE 300/50	051301 PE 300/50 TC	051302 PE 300/50 RF	051304 PE 300/50 RAL
400	051400 PE 400/50	051401 PE 400/50 TC	051402 PE 400/50 RF	051404 PE 400/50 RAL
500	051500 PE 500/50	051501 PE 500/50 TC	051502 PE 500/50 RF	051504 PE 500/50 RAL
600	051600 PE 600/50	051601 PE 600/50 TC	051602 PE 600/50 RF	051604 PE 600/50 RAL



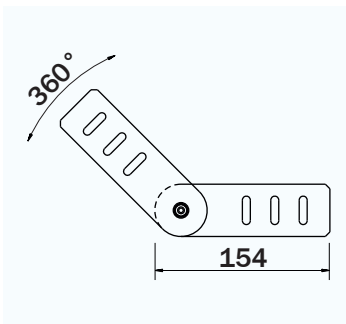
SU-50 cable tray coupler



Article numbers and designations:

Coupler:	Galvanised sheet	Hot-dip galvanised	Stainless steel sheet	RAL options
SU-50	151000 SU-50	151001 SU-50 TC	151002 SU-50 RF	151004 SU-50 RAL

SUG-50 hinged cable tray coupler

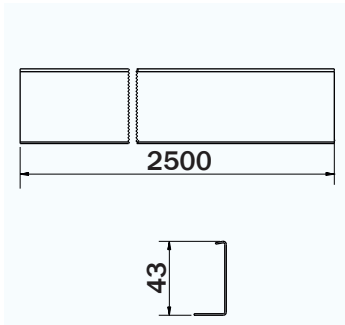


Article numbers and designations:

Coupler:	Galvanised sheet	Hot-dip galvanised	Stainless steel sheet	RAL options
SUG-50	150020 SUG-50	150021 SUG-50 TC	150022 SUG-50 RF	150024 SUG-50 RAL



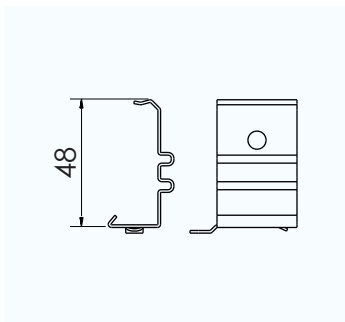
P-50 cable tray divider



Article numbers and designations:

Divider:	Galvanised sheet	Hot-dip galvanised	Stainless steel sheet
P-50	150000 P-50	150001 P-50 TC	150002 P-50 RF

Cable tray divider support bracket



Article numbers and designations:

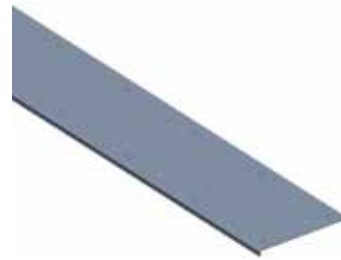
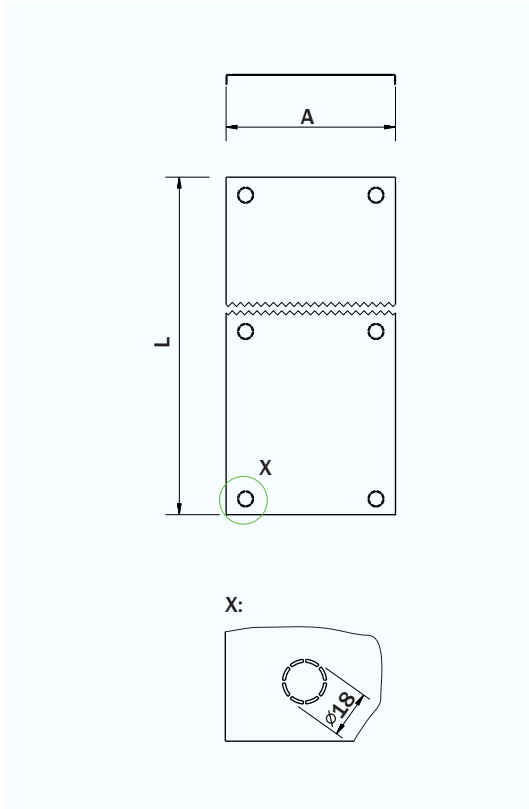
Divider support bracket:	Galvanised sheet	Hot-dip galvanised	Stainless steel sheet
DP-50	150010 DP-50	150011 DP-50 TC	150012 DP-50 RF



Cable tray cover PPE

Dolžina L=2500
(mm)

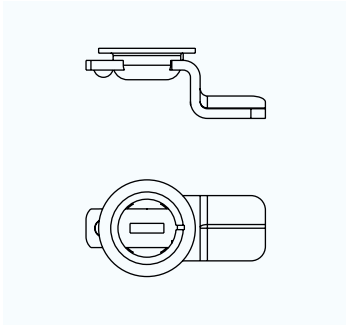
H 50 in H 60
(mm)



Article numbers and designations:

Tray width A: (mm)	Galvanised sheet	Hot-dip galvanised	Stainless steel sheet	RAL options
50	100050 PPE-50	100051 PPE-50 TC	100052 PPE-50 RF	100054 PPE-50 RAL
100	100100 PPE-100	100101 PPE-100 TC	100102 PPE-100 RF	100104 PPE-100 RAL
200	100200 PPE-200	100201 PPE-200 TC	100202 PE-200 RF	100204 PPE-200 RAL
300	100300 PPE-300	100301 PPE-300 TC	100302 PPE-300 RF	100304 PPE-300 RAL
400	100400 PPE-400	100401 PPE-400 TC	100402 PPE-400 RF	100404 PPE-400 RAL
500	100500 PPE-500	100501 PPE-500 TC	100502 PPE-500 RF	100504 PPE-500 RAL
600	100600 PPE-600	100601 PPE-600 TC	100602 PPE-600 RF	100604 PPE-600 RAL

Cable tray cover latch ZAP-1

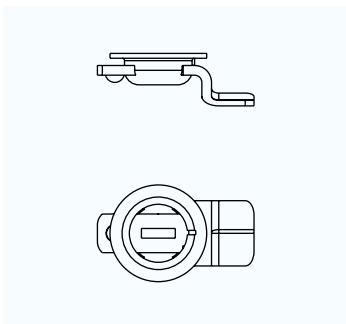


Article numbers and designations:

Latch	Galvanised sheet	Stainless steel sheet
ZAP-1	100010 ZAP-1	100012 ZAP-1 RF

Note: For all cable trays except PE 50/50, PE 50/60 and H=30

Cable tray cover latch ZAP-2



Article numbers and designations:

Latch	Galvanised sheet	Stainless steel sheet
ZAP-2	100020 ZAP-2	100022 ZAP-2 RF

Note: Only for cable trays PE 50/50, PE 50/60 in H=30.